

HITACHI

Jig Saw

Stichsäge

Scie sauteuse

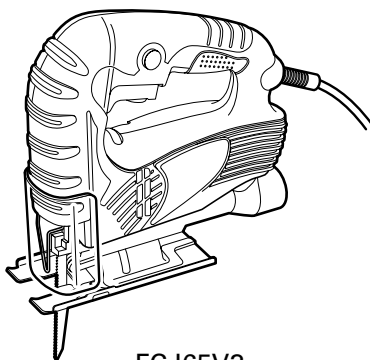
Seghetto alternativo

Decoupeerzaagmachine

Sierra de calar

Serra de recortes

FCJ 65V3 • FCJ 65S3



FCJ65V3

Read through carefully and understand these instructions before use.
Diese Anleitung vor Benutzung des Werkzeugs sorgfältig durchlesen und verstehen.
Lire soigneusement et bien assimiler ces instructions avant usage.
Prima dell'uso leggere attentamente e comprendera queste istruzioni.
Deze gebruiksaanwijzing s.v.p. voor gebruik zorgvuldig doorlezen.
Leer cuidadosamente y comprender estas instrucciones antes del uso.
Antes de usar, leia com cuidado para assimilar estas instruções.



Handling instructions

Bedienungsanleitung

Mode d'emploi

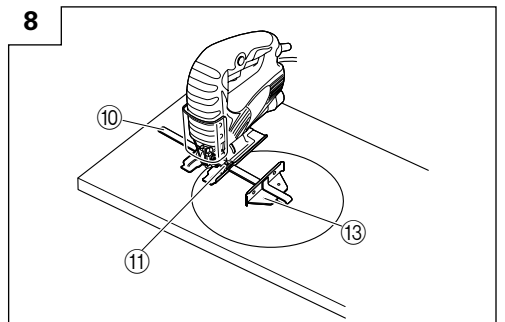
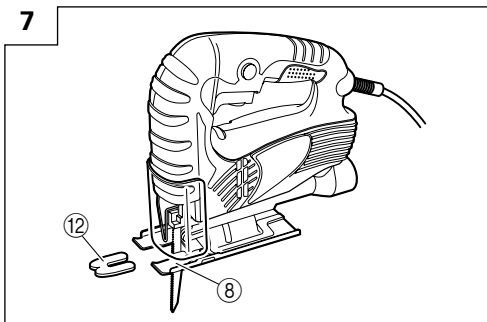
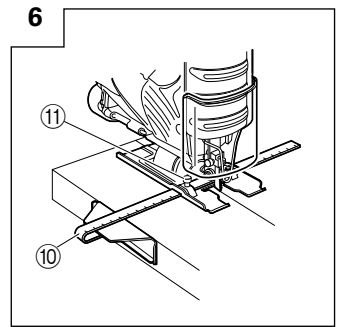
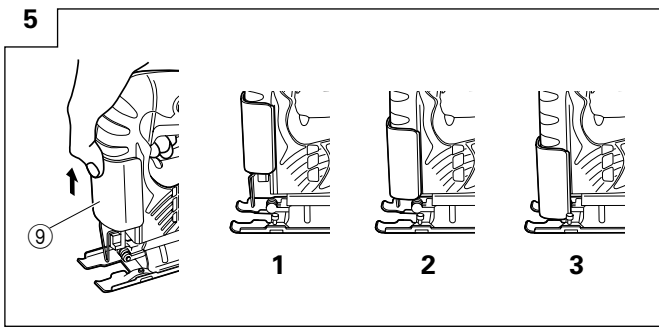
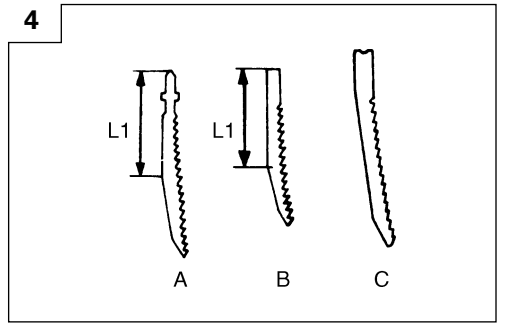
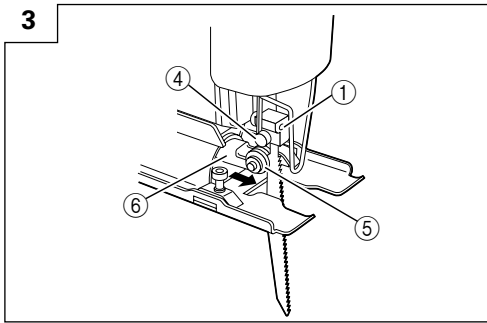
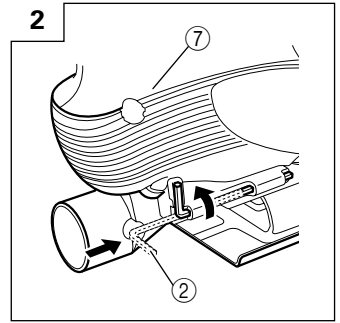
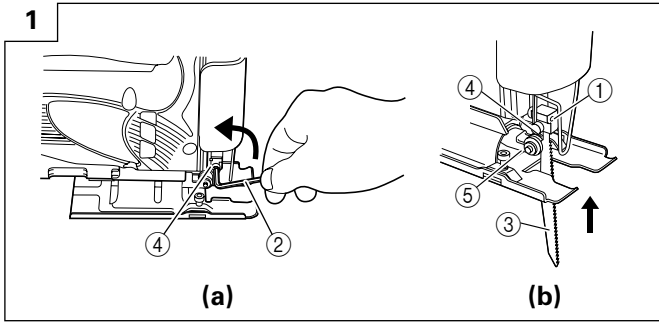
Istruzioni per l'uso

Gebbruiksaanwijzing

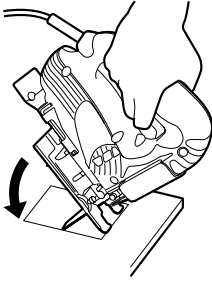
Instrucciones de manejo

Instruções de uso

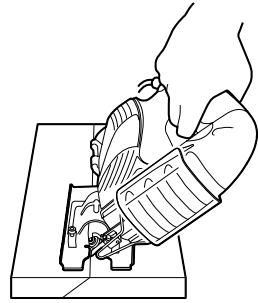
Hitachi Koki



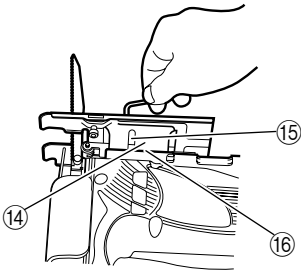
9



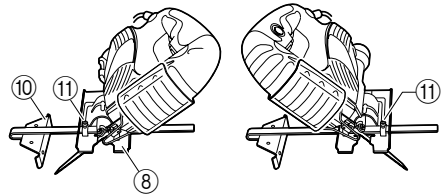
10



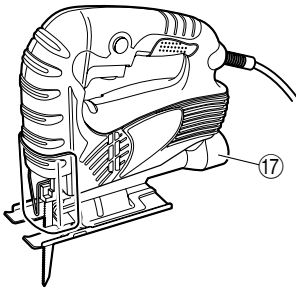
11



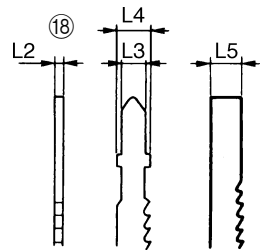
12



13








14



	English	Deutsch	Français	Italiano
①	Blade holder	Sägeblatthalter	Support de lame	Portalama
②	Hexagonal bar wrench	Sechskantinnenschlüssel	Clef à six pans	Chiave maschia esagonale
③	Blade (blade edge must face front)	Sägeblatt (Schnittfläche muß nach vorne zeigen)	Lame (le bord de la lame doit être tourné vers l'avant)	Lama (il taglio della lama deve esserervolto in avanti)
④	Blade set screw	Klemmschraube für das Sägeblatt	Vis de réglage de la lame	Vite di fissaggio della lama
⑤	Roller	Führungsrolle	Rouleau	Rullo
⑥	Holder	Halter	Support	Sostegno
⑦	Main unit	Hauptgerät	Unité principale	Unità principale
⑧	Base	Sägetisch	Base	Base
⑨	Chip cover	Schnipseldeckel	Couvercle d'éclats	Reccoglitrucioli
⑩	Guide	Führungsrolle	Guide	Guida
⑪	4mm screw (8mm)	4mm Schraube (8mm)	Vis de 4mm (8mm)	Vite da 4mm (8mm)
⑫	Splinter guard	Splitterschutz	Anti-éclats	Para-schegge
⑬	Nail or wood screw	Nagel oder Holzschraube	Clou ou vis de bois	Chiodo o vite del legno
⑭	Scale	Skala	Echelle	Scala graduata
⑮	Side groove	Seitlicher Schlitz	Fente latérale	Solco laterale
⑯	Housing edge line	Gehäusekante	Arête du logement	Bordo dell'involucro
⑰	Hose attachment part	Schlauchanschluss	Pièce de fixation du tube	Attacco del tubo
⑱	Acceptable blades	Schlauchanbringungsereich	Zone de raccord du flexible	Lama accettabile

	Nederlands	Español	Português
①	Bladhouder	Portacuchilla	Suporte de lamina
②	Inbussleutel	Llave macho hexagonal	Chave de barra sextavada
③	Zaagblad (snijkant moet naar voren wijzen)	Cuchilla (el filo tiene que mirar hacia el frente)	Lâmina (a extremidade da lâmina deve estar virada para a frente)
④	Klemschroef	Tornillo de ajuste de la cuchilla	Parafuso de definição da lâmina
⑤	Geleiderol	Rodillo	Cilindro
⑥	Houder	Sujetador	Suporte
⑦	Hoofdeenheid	Unidad principal	Unidade principal
⑧	Zaagtafel	Base	Base
⑨	Spaankast	Cubierta de virutas	Capa contra fragmentos
⑩	Geleider	Guía	Guia
⑪	4mm schroef (8mm)	Tornillo 4mm (8mm)	Parafuso 4mm (8mm)
⑫	Anti-splinterstuk	Protector contra astillas	Proteção contra lascas
⑬	Spijker of houtschroef	Clavo o tornillo para madera	Prego ou parafuso de madeira
⑭	Schaal	Escala	Escala
⑮	Gleuf aan de zijkant	Hueco lateral	Ranhura lateral
⑯	Behuizingshoeklijn	Extremo de la caja	Linha de contorno da carcaça
⑰	Slangbevestigingsgedeelte	Parte de conexión del manguito	Peça de ligação do tubo
⑱	Te gebruiken zaagbladen	Cuchillas aceptables	Lâminas compatíveis

	<p>Symbols ⚠ WARNING The following show symbols used for the machine. Be sure that you understand their meaning before use.</p>	<p>Symbole ⚠ WARNING Die folgenden Symbole werden für diese Maschine verwendet. Achten Sie darauf, diese vor der Verwendung zu verstehen.</p>	<p>Symboles ⚠ AVERTISSEMENT Les symboles suivants sont utilisés pour l'outil. Bien se familiariser avec leur signification avant d'utiliser l'outil.</p>	<p>Simboli ⚠ AVVERTENZA Di seguito mostriamo i simboli usati per la macchina. Assicurarsi di comprenderne il significato prima dell'uso.</p>
	<p>Read all safety warnings and all instructions. Failure to follow the warnings and instructions may result in electric shock, fire and/or serious injury.</p>	<p>Lesen Sie sämtliche Sicherheitshinweise und Anweisungen durch. Wenn die Warnungen und Anweisungen nicht befolgt werden, kann es zu Stromschlag, Brand und/oder ernsthaften Verletzungen kommen.</p>	<p>Lire tous les avertissements de sécurité et toutes les instructions. Tout manquement à observer ces avertissements et instructions peut engendrer des chocs électriques, des incendies et/ou des blessures graves.</p>	<p>Leggere tutti gli avvertimenti di sicurezza e tutte le istruzioni. La mancata osservanza degli avvertimenti e delle istruzioni potrebbe essere causa di scosse elettriche, incendi e/o gravi lesioni.</p>
	<p>Only for EU countries Do not dispose of electric tools together with household waste material! In observance of European Directive 2002/96/EC on waste electrical and electronic equipment and its implementation in accordance with national law, electric tools that have reached the end of their life must be collected separately and returned to an environmentally compatible recycling facility.</p>	<p>Nur für EU-Länder Werfen Sie Elektrowerkzeuge nicht in den Hausmüll! Gemäss Europäischer Richtlinie 2002/96/EG über Elektro- und Elektronik-Altgeräte und Umsetzung in nationales Recht müssen verbrauchte Elektrowerkzeuge getrennt gesammelt und einer umweltgerechten Wiederverwertung zugeführt werden.</p>	<p>Pour les pays européens uniquement Ne pas jeter les appareils électriques dans les ordures ménagères! Conformément à la directive européenne 2002/96/EG relative aux déchets d'équipements électriques ou électroniques (DEEE), et à sa transposition dans la législation nationale, les appareils électriques doivent être collectés à part et être soumis à un recyclage respectueux de l'environnement.</p>	<p>Solo per Paesi UE Non gettare le apparecchiature elettriche tra i rifiuti domestici. Secondo la Direttiva Europea 2002/96/CE sui rifiuti di apparecchiature elettriche ed elettroniche e la sua attuazione in conformità alle norme nazionali, le apparecchiature elettriche esauste devono essere raccolte separatamente, al fine di essere reimpiagate in modo eco-compatibile.</p>
	<p>Symbolen ⚠ WAARSCHUWING Hieronder staan symbolen afgebeeld die van toepassing zijn op deze machine. U moet de betekenis hiervan begrijpen voor gebruik.</p>	<p> Símbolos ⚠ ADVERTENCIA A continuación se muestran los símbolos usados para la máquina. Asegúrese de comprender su significado antes del uso.</p>	<p> Símbolos ⚠ AVISO A seguir aparecem os símbolos utilizados pela máquina. Assimile bem seus significados antes do uso.</p>	
	<p>Lees alle waarschuwingen en instructies aandachtig door. Nalating om de waarschuwingen en instructies op te volgen kan in een elektrische schok, brand en/of ernstig letsel resulteren.</p>	<p>Lea todas las instrucciones y advertencias de seguridad. Si no se siguen las advertencias e instrucciones, podría producirse una descarga eléctrica, un incendio y/o daños graves.</p>	<p>Leia todas as instruções e avisos de segurança. Se não seguir todas as instruções e os avisos, pode provocar um choque eléctrico, incêndio e/ou ferimentos graves.</p>	
	<p>Alleen voor EU-landen Geef elektrisch gereedschap niet met het huisvuil mee! Volgens de Europese richtlijn 2002/96/EG inzake oude elektrische en elektronische apparaten en de toepassing daarvan binnen de nationale wetgeving, dient gebruikt elektrisch gereedschap gescheiden te worden ingezameld en te worden afgevoerd naar een recycle bedrijf dat voldoet aan de geldende milieu-eisen.</p>	<p>Sólo para países de la Unión Europea ¡No desheche los aparatos eléctricos junto con los residuos domésticos! De conformidad con la Directiva Europea 2002/96/CE sobre residuos de aparatos eléctricos y electrónicos y su aplicación de acuerdo con la legislación nacional, las herramientas eléctricas cuya vida útil haya llegado a su fin se deberán recoger por separado y trasladar a una planta de reciclaje que cumpla con las exigencias ecológicas.</p>	<p>Apenas para países da UE Não deite ferramentas eléctricas no lixo doméstico! De acordo com a directiva europeia 2002/96/CE sobre ferramentas eléctricas e electrónicas usadas e a transposição para as leis nacionais, as ferramentas eléctricas usadas devem ser recolhidas em separado e encaminhadas a uma instalação de reciclagem dos materiais ecológica.</p>	

GENERAL POWER TOOL SAFETY WARNINGS

⚠ WARNING

Read all safety warnings and all instructions.

Failure to follow the warnings and instructions may result in electric shock, fire and/or serious injury.

Save all warnings and instructions for future reference.

The term "power tool" in the warnings refers to your mains-operated (corded) power tool or battery-operated (cordless) power tool.

1) Work area safety

- a) **Keep work area clean and well lit.**
Cluttered or dark areas invite accidents.
- b) **Do not operate power tools in explosive atmospheres, such as in the presence of flammable liquids, gases or dust.**
Power tools create sparks which may ignite the dust or fumes.
- c) **Keep children and bystanders away while operating a power tool.**
Distractions can cause you to lose control.

2) Electrical safety

- a) **Power tool plugs must match the outlet. Never modify the plug in any way. Do not use any adapter plugs with earthed (grounded) power tools.**
Unmodified plugs and matching outlets will reduce risk of electric shock.
- b) **Avoid body contact with earthed or grounded surfaces, such as pipes, radiators, ranges and refrigerators.**
There is an increased risk of electric shock if your body is earthed or grounded.
- c) **Do not expose power tools to rain or wet conditions.**
Water entering a power tool will increase the risk of electric shock.
- d) **Do not abuse the cord. Never use the cord for carrying, pulling or unplugging the power tool. Keep cord away from heat, oil, sharp edges or moving parts.**
Damaged or entangled cords increase the risk of electric shock.
- e) **When operating a power tool outdoors, use an extension cord suitable for outdoor use.**
Use of a cord suitable for outdoor use reduces the risk of electric shock.
- f) **If operating a power tool in a damp location is unavoidable, use a residual current device (RCD) protected supply.**
Use of an RCD reduces the risk of electric shock.

3) Personal safety

- a) **Stay alert, watch what you are doing and use common sense when operating a power tool. Do not use a power tool while you are tired or under the influence of drugs, alcohol or medication.**
A moment of inattention while operating power tools may result in serious personal injury.
- b) **Use personal protective equipment. Always wear eye protection.**
Protective equipment such as dust mask, non-skid safety shoes, hard hat, or hearing protection used for appropriate conditions will reduce personal injuries.
- c) **Prevent unintentional starting. Ensure the switch is in the off-position before connecting to power source and/or battery pack, picking up or carrying the tool.**

Carrying power tools with your finger on the switch or energising power tools that have the switch on invites accidents.

- d) **Remove any adjusting key or wrench before turning the power tool on.**
A wrench or a key left attached to a rotating part of the power tool may result in personal injury.
- e) **Do not overreach. Keep proper footing and balance at all times.**
This enables better control of the power tool in unexpected situations.
- f) **Dress properly. Do not wear loose clothing or jewellery. Keep your hair, clothing and gloves away from moving parts.**
Loose clothes, jewellery or long hair can be caught in moving parts.
- g) **If devices are provided for the connection of dust extraction and collection facilities, ensure these are connected and properly used.**
Use of dust collection can reduce dust related hazards.

4) Power tool use and care

- a) **Do not force the power tool. Use the correct power tool for your application.**
The correct power tool will do the job better and safer at the rate for which it was designed.
- b) **Do not use the power tool if the switch does not turn it on and off.**
Any power tool that cannot be controlled with the switch is dangerous and must be repaired.
- c) **Disconnect the plug from the power source and/or the battery pack from the power tool before making any adjustments, changing accessories, or storing power tools.**
Such preventive safety measures reduce the risk of starting the power tool accidentally.
- d) **Store idle power tools out of the reach of children and do not allow persons unfamiliar with the power tool or these instructions to operate the power tool. Power tools are dangerous in the hands of untrained users.**
- e) **Maintain power tools. Check for misalignment or binding of moving parts, breakage of parts and any other condition that may affect the power tool's operation.**
If damaged, have the power tool repaired before use. Many accidents are caused by poorly maintained power tools.
- f) **Keep cutting tools sharp and clean.**
Properly maintained cutting tools with sharp cutting edges are less likely to bind and are easier to control.
- g) **Use the power tool, accessories and tool bits etc. in accordance with these instructions, taking into account the working conditions and the work to be performed.**
Use of the power tool for operations different from those intended could result in a hazardous situation.

5) Service

- a) **Have your power tool serviced by a qualified repair person using only identical replacement parts.**
This will ensure that the safety of the power tool is maintained.

PRECAUTION

Keep children and infirm persons away.

When not in use, tools should be stored out of reach of children and infirm persons.

PRECAUTIONS ON USING JIG SAW

Hold power tool by insulated gripping surfaces, when performing an operation where the cutting accessory may contact hidden wiring or its own cord. Cutting accessory contacting a "live" wire may make exposed metal parts of the power tool "live" and could give the operator an electric shock.

SPECIFICATIONS

Model	FCJ65V3	FCJ65S3
Voltage (by areas)*	(110V, 115V, 120V, 127V, 220V, 230V, 240V) ~	
Power input	400W*	
Max. cutting depth	Wood: 65mm Mild steel: 6mm	
No-load speed	0 – 3000 min ⁻¹	3000 min ⁻¹
Stroke	18mm	
Min. cutting radius	25mm	
Weight (without cord)	1.5kg	

* Be sure to check the nameplate on product as it is subject to change by areas.

STANDARD ACCESSORIES

- (1) Blade No.31 1
For cutting thick lumber
 - (2) Splinter guard 1
 - (3) Chip cover 1
 - (4) Hexagonal bar wrench 1
- Standard accessories are subject to change without notice.

OPTIONAL ACCESSORIES (sold separately)

- (1) Blades, No.1 – No.6, 31*
* No.31 Blade is a standard accessory.
 - (2) Guide
- Optional accessories are subject to change without notice.

APPLICATIONS

- Cutting various lumber and pocket cutting
- Cutting mild steel plate, aluminum plate, and copper plate
- Cutting synthetic resins, such as phenol resin and vinyl chloride
- Cutting thin and soft construction materials

PRIOR TO OPERATION

1. Power source

Ensure that the power source to be utilized conforms to the power requirements specified on the product nameplate.

2. Power switch

Ensure that the power switch is in the OFF position. If the plug is connected to a receptacle while the power switch is in the ON position, the power tool will start operating immediately, which could cause a serious accident.

3. Extension cord

When the work area is removed from the power source, use an extension cord of sufficient thickness and rated capacity. The extension cord should be kept as short as practicable.

4. RCD

The use of a residual current device with a rated residual current of 30mA or less at all times is recommended.

MOUNTING THE BLADE

1. Use the accessory hexagonal bar wrench to loosen the blade set screws on the blade holder, as shown in **Fig. 1(a)**.
2. Holding the blade with its cutting edge facing the front, insert the mounting portion of the blade into the plunger groove until it touches the bottom of the groove.
3. As shown in **Fig. 1(b)**, firmly clamp the side screw.

CAUTION

- Loosened set screws may cause the blade to be damaged. Always ensure that the set screws are securely tightened. Always ensure that the plunger groove is clean and clear of sawdust to ensure proper blade mounting and set screw clamping.
4. Storing the hexagonal bar wrench
 - (1) Insert in a hole on the side of the main unit with holding the short side horizontally as shown in **Fig. 2**.
 - (2) Rotate with the hexagonal bar wrench inserted and secure as shown in **Fig. 2**.

ADJUSTING THE GUIDE ROLLER

The guide roller, shown in **Fig. 3**, is employed to prevent the blade from snapping. Prior to use, adjust guide roller in accordance with the following procedures:

- (1) Loosen the holder set screw with the accessory hexagonal bar wrench.
- (2) Gently slide the guide roller until the roller groove lightly touches the back of the blade.

NOTE

On delivery from the factory, there is a gap of about 3mm between the roller and blade.

- (3) Firmly tighten the holder set screw.

CAUTION

- The guide roller can be used only for Blades that have a straight line on the rear that is longer than 50mm. (Fig. 4A and 4B) When using other types of blades (Fig. 4C), slide the guide roller in backwards so that the guide roller does not contact the blade.
- When cutting thick boards or performing continuous cutting operations, use the blade shown in the Fig. 4A, 4B and be sure to set the guide roller.

CHIP COVER POSITIONING

1. Chip cover

Use the chip cover to reduce flying of cut particles and to easily operate the saw.

Slide the chip cover while lightly pressing its front section.

The chip cover can be set at three positions as shown in Fig. 5.

2. How to choose the position of the chip cover

Set the chip cover to the first step when attaching or removing the blade.

Set the chip cover to the second step when cutting wooden materials.

Set the chip cover to the second or third step when cutting metal materials such as steel.

CAUTION

- Keep always the chip cover in the low position when operating the tool.
- Wear protection glasses even if the chip cover is used.

ADJUSTING THE BLADE OPERATING SPEED (FCJ65V3 only)

NOTE

The blade operating speed cannot be adjusted for FCJ65S3.

The blade operating speed can be adjusted within a range of 0 to 3,000 min⁻¹ according to the degree that the trigger switch is depressed. Select the speed appropriate to the material being worked and/or the working conditions.

To achieve continuous operation, pull the trigger switch all the way back and depress the stopper. Then, turn the speed adjustment knob to adjust the blade operating speed as desired.

NOTE

The speed adjustment knob rotates approximately 1.5 turns. To turn the switch OFF, pull the trigger switch again to disengage the stopper, and release the trigger switch.

CUTTING

CAUTION

- While sawing, the base must be firmly in contact with the material surface, and the blade must be held at a right angle. If the base becomes separated from the material, it could cause the blade to break.
- When cutting while holding the front surface, be careful of the moving blade and hold the upper part firmly.

1. Rectilinear cutting

(1) To ensure accurate rectilinear cutting, employ the optional accessory guide as shown in Fig. 6.

(2) Use the splinter guard to reduce roughness of the cutting surface of wooden materials. Attach the splinter guard by inserting it from the front section of the base until it clicks into place. (Fig. 7)

CAUTION

Set the base in the front position when using the splinter guard.

2. Cutting a circle or a circular arc

To ensure efficient cutting, employ the optional accessory guide and nail or wood screw as shown in Fig. 8.

When mounting the guide, loosen the base bottom screw, and shift the base as far forward as it will go.

3. Sawing curved lines

When sawing a small circular arc, reduce the feeding speed of the machine. If the machine is fed too fast, it could cause the blade to break.

4. Cutting metallic materials

Always use an appropriate cutting agent (spindle oil, soapy water, etc.). When a liquid cutting agent is not available, apply grease to the back surface of the material to be cut.

5. Pocket cutting

(1) In lumber

Aligning the blade direction with the grain of the wood, cut step by step until a window hole is cut in the center of the lumber. (Fig. 9)

(2) In other materials

When cutting a window hole in materials other than lumber, initially bore a hole with a drill or similar tool from which to start cutting.

6. Angular cutting

Set the chip cover to the first step. (Fig. 5)

To adjust the angle of inclination; loosen the base bottom screw, shift the base position to the side groove of the semicircular portion, align the scale on the base semicircular portion (figures engraved on the scale indicate the angle of inclination) with the housing edge line, and thoroughly tighten the base bottom screw. (Fig. 10 and 11)

CAUTION

Set the screw to the opposite side of the inclining side when using the guide. (Fig. 12)

7. Dust produced in operation

CAUTION

- To prevent accidents, turn the switch off and remove the plug from the power supply when not in use.
- For instruction on using the dust collector and applicable cutting debris, please read the dust collector instruction manual.

The dust produced in normal operation may affect the operator's health. Either of following way is recommended.

- a) Wear a dust mask
b) Use external dust collection equipment

When using the external dust collection equipment, connect the rubber adapter (accessory of external dust collection equipment) with end of hose from external dust collection equipment.

Then connect the another end of rubber adapter with the hose attachment part that positioned in rear end of jig saw. (See Fig. 13)

Table 1 List of Appropriate Blades

Material to be cut	Material quality	Blade No.
Lumber	General lumber	No.1 or No.31 (thick plate) or No.41 (thick plate) or No.2 (thin plate)
	Plywood	No.3 or No.6
Iron plate	Mild steel plate	No.6
Nonferrous metal	Aluminum, copper, brass	No.6
Synthetic resin	Phenol resin, melamine resin, etc.	No.4 (thick plate) or No.6 (thin plate)
	Vinyl chloride, acryl resin, etc.	No.2 or No.4 (thick plate) or No.6 (thin plate)
	Foamed styrol, etc.	No.2
Pulp	Cardboard, corrugated paper	No.2
	Hardboard	No.5 or No.6
	Fiberboard	No.6
Others	Hard rubber	No.2
	Slate	No.5

2. Acceptable commercial blades (Fig. 14)

This machine is designed to accept most blades available on the open market. As illustrated in Fig. 14, blade dimension restrictions are as follows:

- Thickness : L2 Less than 1.6mm
- Width : L3 6.3mm
- L4 8mm
- L5 7mm

NOTE

When cutting thick materials, use HITACHI genuine blades which have an inclination as shown in Fig. 4-A or B.

MAINTENANCE AND INSPECTION

1. Inspecting the blade

Continued use of a dull or damaged blade will result in reduced cutting efficiency and may cause overloading of the motor. Replace the blade with a new one as soon as excessive abrasion is noted.

2. Inspecting the mounting screws

Regularly inspect all mounting screws and ensure that they are properly tightened. Should any of the screws be loose, retighten them immediately. Failure to do so could result in serious hazard.

3. Maintenance of the motor

The motor unit winding is the very "heart" of the power tool. Exercise due care to ensure the winding does not become damaged and/or wet with oil or water.

SELECTION OF BLADES

1. Accessory blades

To ensure maximum operating efficiency and results it is very important to select the appropriate blade best suited to the type and thickness of the material to be cut. One type of blade is provided as standard accessory. The blade number is engraved in the vicinity of the mounting portion of each blade. Select appropriate blades by referring to **Table 1**.

4. Replacing supply cord

If the supply cord of Tool is damaged, the Tool must be returned to Hitachi Authorized Service Center for the cord to be replaced.

5. Servicing

Consult an authorized Service Agent in the event of power tool failure.

6. Service parts list

- A: Item No.
B: Code No.
C: No. Used
D: Remarks

CAUTION

Repair, modification and inspection of Hitachi Power Tools must be carried out by a Hitachi Authorized Service Center.

This Parts List will be helpful if presented with the tool to the Hitachi Authorized Service Center when requesting repair or other maintenance.

In the operation and maintenance of power tools, the safety regulations and standards prescribed in each country must be observed.

MODIFICATION

Hitachi Power Tools are constantly being improved and modified to incorporate the latest technological advancements.

Accordingly, some parts (i.e. code numbers and/or design) may be changed without prior notice.

GUARANTEE

We guarantee Hitachi Power Tools in accordance with statutory/country specific regulation. This guarantee does not cover defects or damage due to misuse, abuse, or normal wear and tear. In case of complaint, please send the Power Tool, undismantled, with the GUARANTEE CERTIFICATE found at the end of this Handling instruction, to a Hitachi Authorized Service Center.

NOTE

Due to HITACHI's continuing program of research and development, the specifications herein are subject to change without prior notice.

IMPORTANT

Correct connection of the plug

The wires of the main lead are coloured in accordance with the following code:

Blue : -Neutral

Brown : -Live

As the colours of the wires in the main lead of this tool may not correspond with the coloured markings identifying the terminals in your plug proceed as follows: The wire coloured blue must be connected to the terminal marked with the letter N or coloured black. The wire coloured brown must be connected to the terminal marked with the letter L or coloured red. Neither core must be connected to the earth terminal.

NOTE

This requirement is provided according to BRITISH STANDARD 2769: 1984

Therefore, the letter code and colour code may not be applicable to other markets except The United Kingdom.

Information concerning airborne noise and vibration

The measured values were determined according to EN60745 and declared in accordance with ISO 4871.

The typical A-weighted sound pressure level: 84 dB (A)

The typical A-weighted sound power level: 95 dB (A)

Uncertainty KpA: 3 dB (A).

Wear hearing protection.

Vibration total values (triax vector sum) determined according to EN60745.

Cutting wood:

Vibration emission value **a_h**, **CW** = 18.3 m/s²

Uncertainty K = 2.1 m/s²

Cutting sheet metal:

Vibration emission value **a_h**, **CM** = 17.2 m/s²

Uncertainty K = 4.3 m/s²

The declared vibration total value has been measured in accordance with a standard test method and may be used for comparing one tool with another.

It may also be used in a preliminary assessment of exposure.

WARNING

- The vibration emission during actual use of the power tool can differ from the declared total value depending on the ways in which the tool is used.
- Identify safety measures to protect the operator that are based on an estimation of exposure in the actual conditions of use (taking account of all parts of the operating cycle such as the times when the tool is switched off and when it is running idle in addition to the trigger time).

ALLGEMEINE SICHERHEITSHINWEISE FÜR ELEKTROGERÄTE

⚠️ WARNUNG

Lesen Sie sämtliche Sicherheitshinweise und Anweisungen durch. Wenn die Warnungen und Anweisungen nicht befolgt werden, kann es zu Stromschlag, Brand und/oder ernsthaften Verletzungen kommen.

Bitte bewahren Sie alle Warnhinweise und Anweisungen zum späteren Nachschlagen auf.

Der Begriff „Elektrowerkzeug“ bezieht sich in den Warnhinweisen auf Elektrowerkzeuge mit Netz- (schnurgebunden) oder Akkubetrieb (schnurlos).

1) Sicherheit im Arbeitsbereich

- Sorgen Sie für einen sauberen und gut ausgeleuchteten Arbeitsbereich.**
Zugestellte oder dunkle Bereiche ziehen Unfälle förmlich an.
- Verwenden Sie Elektrowerkzeuge niemals an Orten, an denen Explosionsgefahr besteht – zum Beispiel in der Nähe von leicht entflammaren Flüssigkeiten, Gasen oder Stäuben.**
Bei der Arbeit mit Elektrowerkzeugen kann es zu Funkenbildung kommen, wodurch sich Stäube oder Dämpfe entzünden können.
- Sorgen Sie bei der Arbeit mit Elektrowerkzeugen dafür, dass sich keine Zuschauer (insbesondere Kinder) in der Nähe befinden.**
Wenn Sie abgelenkt werden, können Sie die Kontrolle über das Werkzeug verlieren.

2) Elektrische Sicherheit

- Elektrowerkzeuge müssen mit passender Stromversorgung betrieben werden.**
Nehmen Sie niemals irgendwelche Änderungen am Anschlussstecker vor.
Verwenden Sie bei Elektrowerkzeugen mit Schutzkontakt (geerdet) niemals Adapterstecker.
Stecker im Originalzustand und passende Steckdosen reduzieren das Stromschlagrisiko.
- Vermeiden Sie Körperkontakt mit geerdeten Gegenständen wie Rohrleitungen, Heizungen, Herden oder Kühlschränken.**
Bei Körperkontakt mit geerdeten Gegenständen besteht ein erhöhtes Stromschlagrisiko.
- Setzen Sie Elektrowerkzeuge niemals Regen oder sonstiger Feuchtigkeit aus.**
Wenn Flüssigkeiten in ein Elektrowerkzeug eindringen, erhöht sich das Stromschlagrisiko.
- Verwenden Sie die Anschlusschnur nicht missbräuchlich.**
Tragen Sie das Elektrowerkzeug niemals an der Anschlusschnur, ziehen Sie es nicht damit heran und ziehen Sie den Stecker nicht an der Anschlusschnur aus der Steckdose.
Halten Sie die Anschlusschnur von Hitzequellen, Öl, scharfen Kanten und beweglichen Teilen fern.
Beschädigte oder verdrehte Anschlusschnüre erhöhen das Stromschlagrisiko.
- Wenn Sie ein Elektrowerkzeug im Freien benutzen, verwenden Sie ein für den Außeneinsatz geeignetes Verlängerungskabel.**
Ein für den Außeneinsatz geeignetes Kabel vermindert das Stromschlagrisiko.
- Falls sich der Betrieb des Elektrowerkzeuges in feuchter Umgebung nicht vermeiden lässt, verwenden Sie eine Stromversorgung mit Fehlerstromschutzeinrichtung (Residual Current Device, RCD).**
Durch den Einsatz einer Fehlerstromschutzeinrichtung wird das Risiko eines elektrischen Schlages reduziert.

3) Persönliche Sicherheit

- Blieben Sie wachsam, achten Sie auf das, was Sie tun, und setzen Sie Ihren Verstand ein, wenn Sie mit Elektrowerkzeugen arbeiten.**
Benutzen Sie keine Elektrowerkzeuge, wenn Sie müde sind oder unter Einfluss von Drogen, Alkohol oder Medikamenten stehen.
Bei der Arbeit mit Elektrowerkzeugen können bereits kurze Phasen der Unaufmerksamkeit zu schweren Verletzungen führen.
- Benutzen Sie eine persönliche Schutzausrüstung. Tragen Sie immer einen Augenschutz.**
Schutzausrüstung wie Staubmaske, rutschsichere Sicherheitsschuhe, Schutzhelm und Gehörschutz senken das Verletzungsrisiko bei angemessenem Einsatz.
- Vermeiden Sie unbeabsichtigten Anlauf. Achten Sie darauf, dass sich der Schalter in der Aus- (Off-) Position befindet, ehe Sie das Gerät mit der Stromversorgung und/oder Batteriestromversorgung verbinden, es aufheben oder herumtragen.**
Das Herumtragen von Elektrowerkzeugen mit dem Finger am Schalter oder das Herstellen der Stromversorgung bei betätigtem Schalter zieht Unfälle regelrecht an.
- Entfernen Sie sämtliche Einstellwerkzeuge (Einstellschlüssel), ehe Sie das Elektrowerkzeug einschalten.**
Ein an einem beweglichen Teil des Elektrowerkzeuges angebrachter Schlüssel kann zu Verletzungen führen.
- Sorgen Sie für einen festen Stand. Achten Sie jederzeit darauf, sicher zu stehen und das Gleichgewicht zu bewahren.**
Dadurch haben Sie das Elektrowerkzeug in unerwarteten Situationen besser im Griff.
- Kleiden Sie sich richtig. Tragen Sie keine lose Kleidung oder Schmuck. Halten Sie Haar, Kleidung und Handschuhe von beweglichen Teilen fern.**
Lose Kleidung, Schmuck oder langes Haar kann von beweglichen Teilen erfasst werden.
- Wenn Anschlüsse für Staubabsaug- und -sammelvorrichtungen vorhanden sind, sorgen Sie dafür, dass diese richtig angeschlossen und eingesetzt werden.**
Durch Entfernen des Staubes können staubbezogene Gefahren vermindert werden.

4) Einsatz und Pflege von Elektrowerkzeugen

- Überansprechen Sie Elektrowerkzeuge nicht. Benutzen Sie das richtige Elektrowerkzeug für Ihren Einsatzzweck.**
Das richtige Elektrowerkzeug erledigt seine Arbeit bei bestimmungsgemäßem Einsatz besser und sicherer.
- Benutzen Sie das Elektrowerkzeug nicht, wenn es sich nicht am Schalter ein- und ausschalten lässt.**
Jedes Elektrowerkzeug, das nicht mit dem Schalter betätigt werden kann, stellt eine Gefahr dar und muss repariert werden.
- Stecken Sie den Stecker der Stromversorgung oder Batteriestromversorgung vom Gerät ab, ehe Sie Einstellarbeiten vornehmen, Zubehörteile tauschen oder das Elektrowerkzeug verstauen.**
Solche präventiven Sicherheitsmaßnahmen verhindern den unbeabsichtigten Anlauf des Elektrowerkzeuges und die damit verbundenen Gefahren.
- Lagern Sie nicht benutzte Elektrowerkzeuge außerhalb der Reichweite von Kindern, lassen Sie nicht zu, dass Personen das Elektrowerkzeug bedienen, die nicht mit dem Werkzeug selbst und/oder diesen Anweisungen vertraut sind.**
Elektrowerkzeuge in ungeschulten Händen sind gefährlich.
- Halten Sie Elektrowerkzeuge in Händen. Prüfen Sie auf Fehlausrichtungen, sicheren Halt und Leichtgängigkeit beweglicher Teile, Beschädigungen von Teilen und auf jegliche andere Zustände, die sich auf den Betrieb des Elektrowerkzeuges auswirken können.**

Bei Beschädigungen lassen Sie das Elektrowerkzeug reparieren, ehe Sie es benutzen.

Viele Unfälle mit Elektrowerkzeugen sind auf schlechte Wartung zurückzuführen.

f) Halten Sie Schneidwerkzeuge scharf und sauber.

Richtig gewartete Schneidwerkzeuge mit scharfen Schneidkanten bleiben weniger häufig hängen und sind einfacher zu beherrschen.

g) Benutzen Sie Elektrowerkzeuge, Zubehör, Werkzeugspitzen und Ähnliches in Übereinstimmung mit diesen Anweisungen – beachten Sie dabei die jeweiligen Arbeitsbedingungen und die Art und Weise der auszuführenden Arbeiten.

Der Gebrauch des Elektrowerkzeuges für andere als die vorgesehenen Anwendungen kann zu gefährlichen Situationen führen.

5) Service

a) Lassen Sie Elektrowerkzeuge durch qualifizierte Fachkräfte und unter Einsatz passender, zugelassener Originalteile warten.

Dies sorgt dafür, dass die Sicherheit des Elektrowerkzeugs nicht beeinträchtigt wird.

VORSICHT

Von Kindern und gebrechlichen Personen fernhalten.

Werkzeuge sollten bei Nichtgebrauch außerhalb der Reichweite von Kindern und gebrechlichen Personen aufbewahrt werden.

VORSICHTSMASSNAHMEN BEI DER BEDIENUNG DER STICHSÄGE

Halten Sie das Elektrowerkzeug an den isolierten Griffflächen fest, wenn Sie Arbeiten ausführen, bei denen das Schneidwerkzeug mit einer verdeckten Verdrahtung oder seiner eigenen Netzleitung in Kontakt kommen könnte. Wenn Schneidwerkzeuge auf einen "stromführenden" Draht treffen, können die freigelegten Metallteile das Elektrowerkzeug "unter Strom setzen" und dem Bediener einen elektrischen Schlag versetzen.

TECHNISCHE DATEN

Modell	FCJ65V3	FCJ65S3
Spannung (je nach Gebiet)*	(110V, 115V, 120V, 127V, 220V, 230V, 240V) ~	
Leistungsaufnahme	400W*	
Max. Schnittiefe	Holz: 65mm Flustahl: 6mm	
Leerlaufhubzahlen	0 – 3000 min ⁻¹	3000 min ⁻¹
Hub	18mm	
Mindestschnittradius	25mm	
Gewicht (ohne kabel)	1,5kg	

* Vergessen Sie nicht, die Produktangaben auf dem Typenschild zu überprüfen, da sich diese je nach Verkaufsgebiet ändern.

STANDARDZUBEHÖR

(1) Sägeblatt Nr.31 1
Für Schneiden von dickem Bauholz

(2) Splitterschutz 1

(3) Schnipseldeckel 1

(4) Innensechskantschlüssel 1

Das Standardzubehör kann ohne vorherige Bekanntmachung jederzeit geändert werden.

SONDERZUBEHÖR (separat zu beziehen)

(1) Sägeblätter, Nr.1 – Nr.6, Nr.31*

* Sägeblatt Nr.31 ist Standardzubehör.

(2) Führungsrolle

Das Sonderzubehör kann ohne vorherige Bekanntmachung jederzeit geändert werden.

ANWENDUNGEN

○ Schneiden verschiedener Nutzhölzer (auch Aussparungen)

○ Schneiden von Flustahlblechen, Aluminiumblechen und Kupferblechen

○ Schneiden von Kunstharzen wie Phenolharz und Vinylchlorid

○ Schneiden von dünnen und weichen Baumaterialien

VOR DER INBETRIEBNAHME

1. Netzspannung

Prüfen, daß die zu verwendende Netzspannung der Angabe auf dem Typenschild entspricht.

2. Netzschalter

Prüfen, daß der Netzschalter auf "AUS" steht. Wenn der Stecker an das Netz angeschlossen wird, während der Schalter auf "EIN" steht, beginnt das Werkzeug sofort zu laufen, was gefährlich ist.

3. Verlängerungskabel

Wenn der Arbeitsbereich nicht in der Nähe des Netzanschlusses liegt, ist ein Verlängerungskabel ausreichenden Querschnitts und ausreichender Nennleistung zu verwenden. Das Verlängerungskabel sollte so kurz wie möglich gehalten werden.

ANBRINGEN DES SÄGEBLATTS

1. Lösen Sie die Klemmschrauben am Sägeblatthalter mit dem Sechskantschlüssel, wie in **Abb. 1(a)** gezeigt.

2. Das Sägeblatt mit der Schnittseite nach vorn halten und den Befestigungsteil des Sägeblatts bis zum Anschlag in den Schlitz der Schwingspule einschieben.
3. Gemäß **Abb. 1(b)** wird die seitliche Klemmschraube fest angezogen.

ACHTUNG

- Lose Klemmschrauben können zur Beschädigung des Sägeblattes führen. Es ist immer darauf zu achten, daß die Klemmschrauben fest angezogen sind. Es ist ferner darauf zu achten, daß der Schlitz der Schwingspule sauber und ohne Sägemehl ist, um eine richtige Befestigung des Sägeblattes und richtiges Klemmen der Klemmschrauben zu gewährleisten.
4. Verstaunen des Sechskantschlüssels
 - (1) Schieben Sie den Schlüssel in die seitliche Gehäuseöffnung ein, halten Sie das kurze Ende dabei waagrecht (siehe **Abb. 2**).
 - (2) Fixieren Sie den Sechskantschlüssel, wie in **Abb. 2** gezeigt, durch Drehen.

EINSTELLEN DER FÜHRUNGSROLLE

Die Führungsrolle wird, wie in **Abb. 3** gezeigt, verwendet, um das Abspringen des Sägeblattes zu verhindern. Vor der Benutzung wird die Führungsrolle wie folgt eingestellt:

- (1) Die Klemmschraube des Halters wird mit dem Sechskantinnenschlüssel gelockert.
- (2) Die Führungsrolle vorsichtig verschieben, bis die Rollennut leicht die Rückseite des Sägeblatts berührt.

ANMERKUNG

Bei Lieferung ab Werk ist ein Zwischenraum von etwa 3mm zwischen der Rolle und dem Sägeblatt vorhanden.

- (3) Die Klemmschraube des Halters wird fest angezogen.

ACHTUNG

- Die Führungswalze kann nur für Sägeblätter verwendet werden, die hinten eine gerade Linie von mehr als 50mm Länge haben. (**Abb. 4A** und **4B**) Bei Verwendung anderer Sägeblätter (**Abb. 4C**) die Führungswalze in Rückwärtsrichtung einschieben, so daß die Führungswalze nicht das Sägeblatt berührt.
- Beim Schneiden dicker Bretter und bei fortgesetzten Schneidvorgängen das in **Abb. 4A, 4B** gezeigte Blatt verwenden und unbedingt die Führungsrolle einstellen.

LAGE DES SCHNIPSELDECKELS**1. Schnipseldeckel**

Den Schnipseldeckel verwenden, um das Spritzen von Schnittpartikeln zu vermeiden und die Säge leicht zu bedienen.

Zum Aufsetzen des Schnipseldeckels leicht die Vorderseite drücken.
Der Schnipseldeckel kann in drei Stellungen aufgesetzt werden, wie in **Abb. 5** gezeigt.

2. Wahl der Position des Schipseldeckels

Den Schipseldeckel beim Anbringen oder Abnehmen des Sägeblattes in die erste Stellung stellen.
Den Schipseldeckel beim Sägen von Holzmaterialien in die zweite Stellung stellen.

Den Schnipseldeckel beim Sägen von Metallmaterialien wie Blech in die dritte Stellung stellen.

ACHTUNG

- Halten Sie die Späneabdeckung beim Betrieb des Werkzeugs immer in der niedrigen Position.
- Immer eine Schutzbrille tragen, auch wenn der Schnipseldeckel verwendet wird.

EINSTELLEN DER ARBEITSGESCHWINDIGKEIT DES SÄGEBLATTES (Nur FCJ65V3)**ANMERKUNG**

Die Sägeblattgeschwindigkeit kann beim Modell FCJ65S3 nicht eingestellt werden.

Die Arbeitsgeschwindigkeit des Sägeblattes kann innerhalb eines Bereichs von 0 bis 3000 min⁻¹ je nach Druck auf den Drückerschalter eingestellt werden. Die für das Material des Arbeitsstückes und/oder die Arbeitsbedingungen geeignete Geschwindigkeit wird gewählt. Für kontinuierlichen Betrieb wird der Drückerschalter ganz zurückgezogen und der Arretierknopf gedrückt. Dann wird der Knopf für die Geschwindigkeitsregelung zur Einstellung der gewünschten Arbeitsgeschwindigkeit des Sägeblattes eingestellt.

ANMERKUNG

Der Einstellknopf für die Geschwindigkeit hat etwa 1,5 Umdrehungen. Zum Ausschalten wird der Drückerschalter erneut gezogen, so daß der Arretierknopf freigegeben wird, und dann wird der Drückerschalter losgelassen.

SCHNEIDEN**ACHTUNG**

- Beim Sägen muß der Säge Tisch fest auf der Oberfläche des Werkstücks auf liegen und das Sägeblatt im rechten Winkel gehalten werden. Wenn der Säge Tisch das Material nicht berührt, kann das zum zerbrechen des Sägeblatts führen.
- Wenn Sie beim Schneiden die Vorderseite halten, auf das sich auf- und abbewegende Sägeblatt achten und das Ober teil festhalten.

1. Parallelschneiden

- (1) Für genaues, geradliniges Schneiden den Sonderzubehörführer wie auf **Abb. 6** gezeigt verwenden.
- (2) Den Splitterschutz verwenden, um die Rauigkeit der Sägefläche von Holzmaterialien zu verringern. Der Splitterschutz wird von der Vordersektion des Säge Tischs eingesetzt, bis er einrastet. (**Abb. 7**)

ACHTUNG

Den Säge Tisch nach vorne stellen, wenn der Splitterschutz verwendet wird.

2. Schneiden eines Kreises oder eines Kreisbogens

Um zweckmäßiges Schneiden zu erreichen, Sonderzubehörführer, Nagel und Holzschraube wie auf **Abb. 8** gezeigt verwenden.

Zum Anbringen des Führers die Bodenschraube lockern und den Boden soweit wie möglich nach vorn schieben.

3. Sägen von Bogenlinienj

Beim Sägen eines kleinen Kreisbogens wird die Schiebgeschwindigkeit der Maschine verringert. Wenn die Maschine zu schnell geschoben wird, könnte das zum zerbrechen des Sägeblatts führen.

4. Schneiden von Metallen

Immer ein geeignetes Schneidemittel verwenden (Spindelöl, Seifenwasser, usw.). Wenn ein flüssiges Schneidemittel nicht zur Verfügung steht, wird auf die Rückseite des zu schneidenden Materials Fett aufgetragen.

5. Schneiden von Löchern

(1) In Schnittholz

Die Schnittrichtung wird der Faserrichtung des Holzes angepasst. Es wird Schritt für Schritt geschnitten, bis ein Fenster in der Mitte des Schnittholzes entstanden ist. (Abb. 9)

(2) In anderen Materialien

Beim Schneiden eines Fensters in anderen Materialien als Holz wird zu Anfang ein Loch mit einer Bohrmaschine oder einem ähnlichen Werkzeug gebohrt, von dem aus das Schneiden beginnt.

6. Schrägschnitte

Den Schnipseldeckel in die erste Stellung stellen. (Abb. 5)

Für die Einstellung des Neigungswinkels wird die Bodenschraube gelockert, die Position des Bodens am seitlichen Schlitz der Halbkreisführung verschoben und die Skala auf der Halbkreisführung (die auf der Skala eingravierten Zahlen bedeuten den Neigungswinkel) mit der Gehäusekante eingereicht, und die bodenschraube fest angezogen. (Abb. 10 und 11)

ACHTUNG

Bei Verwendung der Führungsrolle die Schraube in die der Neigeseite entgegengesetzten Seite stellen. (Abb. 12)

7. Im Betrieb anfallender Staub

ACHTUNG

- Damit es nicht zu Unfällen kommt, schalten Sie den Strom ab und ziehen den Netzstecker, wenn Sie das Gerät nicht verwenden.
- Eine Anleitung zur Verwendung des Staubsammlers zum Absaugen von Sägespänen und Staub finden Sie in der Bedienungsanleitung zum Staubsammler.

Im Betrieb anfallender Staub kann gesundheitsschädlich sein. Wir empfehlen Folgendes.

a) Tragen Sie eine Staubschutzmaske

b) Nutzen Sie eine externe Staubabsaugvorrichtung

Wenn Sie den externen Staubsammler verwenden, stecken Sie das Gummi-Adapterstück (Staubsammlerzubehör) auf das Schlauchende des externen Staubsammlers.

Stecken Sie anschließend das andere Ende des Gummi-Adapterstücks auf den Schlauchanschluss am hinteren Ende der Stichsäge. (siehe Abb. 13)

AUSWAHL DER SÄGEBLÄTTER

1. Standardmaßiges Zubehör

Für maximale Leistung und beste Ergebnisse ist es sehr wichtig, das richtige Sägeblatt auszuwählen, das am besten für die Art und Dicke des zu schneidenden Materials geeignet ist. Als Standardzubehör wird ein Sägeblatttyp geliefert. Die Nummer des Sägeblattes ist in der Nähe der Halterung jedes Sägeblattes eingraviert. Das geeignete Sägeblatt wird anhand von **Tabelle 1** ausgewählt.

Tabelle 1 Liste der geeigneten Sägeblätter

Zu schneidendes Material	Materialqualität	Blatt-Nr.
Schnittholz	Allgemeines Schnittholz	Nr.1 oder Nr.31 (Dicke Platte) oder Nr.41 (Dicke Platte) oder Nr.2 (Dünne Platte)
	Furnierplatten	Nr.3 oder Nr.6
Einseblech	Flußstahlblech	Nr.6
Nichteisenmetalle	Aluminium, Kupfer, Messing	Nr.6
Kunststoffe	Phenolharz, Melaminharz usw.	Nr.4 (Dicke Platte) oder Nr.6 (Dünne Platte)
	Vinylchlorid, Acrylharz, usw.	Nr.2 (Dicke Platte), Nr.4 (Dicke Platte) oder Nr.6 (Dünne Platte)
	Geschäumtes Styrol, usw	Nr.2
Holzfasermaterial	Pappe, Wellpappe	Nr.2
	Hartfaserplatte	Nr.5 oder Nr.6
	Faserplatte	Nr.6
Sonstige	Hartgummi	Nr.2
	Schiefer	Nr.5

2. Verwendbare kommerzielle Sägeblätter (Abb. 14)

Diese Maschine ist für die meisten auf dem Markt erhältlichen Sägeblätter geeignet. Wie in **Abb. 14** gezeigt, unterliegen die Sägeblattabmessungen den folgenden Beschränkungen:

- Dicke : L2 Weniger als 1,6mm
- Breite : L3 6,3mm
- L4 8mm
- L5 7mm

ANMERKUNG

Beim Sägen von dicken Materialien nur echte HITACHI-Sägeblätter mit einer Neigung wie in **Abb. 4-A** oder **B** gezeigt verwenden.

WARTUNG UND INSPEKTION**1. Inspektion des Sägeblattes**

Die Weiterverwendung eines stumpfen oder beschädigten Sägeblattes führt zu verminderter Schnittleistung und kann eine Überbelastung des Motors hervorrufen. Das Sägeblatt wird durch ein neues ersetzt, wenn übermäßige Abnutzung festgestellt wird.

2. Inspektion der Befestigungsschraube

Alle Befestigungsschrauben werden regelmäßig inspiziert und geprüft, ob sie gut angezogen sind. Wenn sich eine der Schrauben lockert, muß sie sofort wieder angezogen werden. Geschieht das nicht, kann das zu erheblichen Gefahren führen.

3. Wartung des Motors

Die Motorwicklung ist das "Herz" des Elektrowerkzeugs. Daher ist besonders sorgfältig darauf zu achten, daß die Wicklung nicht beschädigt wird und/oder mit Öl oder Wasser in Berührung kommt.

4. Auswechseln des Netzkabels

Wenn das Netzkabel des Werkzeugs beschädigt wird, muss das Werkzeug zum Auswechseln des Netzkabels an ein von Hitachi autorisiertes Wartungszentrum zurückgegeben werden.

5. Instandhaltung

Im Falle eines Versagens eine autorisierte Wartungswerkstatt zu Rate ziehen.

6. Liste der Wartungsteile

- A: Punkt Nr.
- B: Code Nr.
- C: Verwendete Anzahl
- D: Bemerkungen

ACHTUNG

Reparatur, Modifikation und Inspektion von Hitachi-Elektrowerkzeugen müssen durch ein Autorisiertes Hitachi-Wartungszentrum durchgeführt werden.

Diese Teileliste ist hilfreich, wenn sie dem Autorisierten Hitachi-Wartungszentrum zusammen mit dem Werkzeug für Reparatur oder Wartung ausgehändigt wird.

Bei Betrieb und Wartung von Elektrowerkzeugen müssen die Sicherheitsvorschriften und Normen beachtet werden.

MODIFIKATIONEN

Hitachi-Elektrowerkzeuge werden fortwährend verbessert und modifiziert, um die neuesten technischen Fortschritte einzubauen. Dementsprechend ist es möglich, daß einige Teile (z.B. Codenummern bzw. Entwurf) ohne vorherige Benachrichtigung geändert werden.

GARANTIE

Auf Hitachi-Elektrowerkzeuge gewähren wir eine Garantie unter Zugrundelegung der jeweils geltenden gesetzlichen und landesspezifischen Bedingungen. Dieses Garantie erstreckt sich nicht auf Gehäusedefekte und nicht auf Schäden, die auf Missbrauch, bestimmungswidrigen Einsatz oder normalen Verschleiß zurückzuführen sind. Im Schadensfall senden Sie das nicht zerlegte Elektrowerkzeug zusammen mit dem GARANTIESCHEIN, den Sie am Ende der Bedienungsanleitung finden, an ein von Hitachi autorisiertes Servicecenter.

ANMERKUNG

Aufgrund des ständigen Forschungs- und Entwicklungsprogramms von HITACHI sind Änderungen der hierin gemachten technischen Angaben nicht ausgeschlossen.

Information über Betriebslärm und Vibration

Die gemessenen Werte wurden entsprechend EN60745 bestimmt und in Übereinstimmung mit ISO 4871 ausgewiesen.

Der typische A-gewichtete Schalldruck ist 84 dB (A)
Der typische A-gewichtete Schalleistungspegel ist 95 dB (A)
Messunsicherheit KpA: 3 dB (A)

Gehörschutz tragen.

Gesamtvibrationswerte (3-Achsen-Vektorsumme), bestimmt gemäß EN60745.

Sägen von Holz:
Vibrationsemissionswert **ah, CW** = 18,3 m/s²
Messunsicherheit K = 2,1 m/s²

Sägen von Blech:
Vibrationsemissionswert **ah, CM** = 17,2m/s²
Messunsicherheit K = 4,3 m/s²

Die angegebenen Gesamtvibrationswerte wurden entsprechend einem standardisierten Testverfahren gemessen und können dazu verwendet werden, Werkzeuge miteinander zu vergleichen. Außerdem können sie zur vorbereitenden Expositionseinschätzung verwendet werden.

WARNUNG

- Der Vibrationsemissionswert während der tatsächlichen Benutzung des Elektrowerkzeugs kann von dem deklarierten Gesamtwert abweichen, abhängig davon, wie das Werkzeug verwendet wird.
- Legen Sie Sicherheitsmaßnahmen zum Schutz des Bedieners fest, die auf einer Expositionseinschätzung unter den tatsächlichen Benutzungsbedingungen beruhen (unter Berücksichtigung aller Bereiche des Betriebszyklus, darunter neben der Triggerzeit auch die Zeiten, in denen das Werkzeug ausgeschaltet ist oder im Leerlaufbetrieb läuft).

AVERTISSEMENTS DE SÉCURITÉ GÉNÉRAUX CONCERNANT LES OUTILS ÉLECTRIQUES

⚠ AVERTISSEMENT

Lire tous les avertissements de sécurité et toutes les instructions.

Tout manquement à observer ces avertissements et instructions peut engendrer des chocs électriques, des incendies et/ou des blessures graves.

Conservez tous les avertissements et toutes les instructions pour vous y référer ultérieurement.

Leterme "outil électrique", utilisé dans les avertissements, se réfère aux outils électriques (câblé) ou aux outils à piles (sans fil).

1) Sécurité sur l'aire de travail

a) Maintenir l'aire de travail propre et bien éclairée.

Les endroits encombrés ou sombres sont propices aux accidents.

b) Ne pas utiliser d'outils électriques en présence de liquides, gaz ou poussière inflammables, au risque de provoquer une explosion.

Les outils électriques créent des étincelles susceptibles d'enflammer la poussière ou les vapeurs.

c) Ne pas laisser les enfants et les visiteurs s'approcher de vous lorsque vous utilisez un outil électrique.

Les distractions peuvent faire perdre le contrôle.

2) Sécurité électrique

a) Les prises de l'outil électrique doivent correspondre à la prise secteur.

Ne jamais modifier la prise.

Ne pas utiliser d'adaptateurs avec les outils électriques mis à la masse.

Les prises non modifiées et les prises secteurs correspondantes réduisent les risques de choc électrique.

b) Éviter tout contact avec les surfaces mises à la masse telles que les tuyaux, radiateurs, bandes et réfrigérateurs.

Le risque de choc électrique est accru en cas de mise à la masse du corps.

c) Ne pas exposer les outils électriques à la pluie ou à des conditions humides.

Si l'eau pénètre dans l'outil, cela augmente les risques de choc électrique.

d) Ne pas utiliser le cordon à tort. Ne jamais utiliser le cordon pour transporter ou débrancher l'outil électrique.

Maintenir le cordon loin de la chaleur, de l'huile, des bords pointus ou des pièces mobiles.

Les cordons endommagés ou usés augmentent les risques de choc électrique.

e) En cas d'utilisation d'un outil électrique à l'extérieur, utiliser un cordon de rallonge adapté à un usage extérieur.

L'utilisation d'un cordon adapté à l'usage extérieur réduit les risques de choc électrique.

f) Si vous devez utiliser un outil électrique dans un endroit humide, utilisez une alimentation protégée contre les courants résiduels.

L'utilisation d'un dispositif de protection contre les courants résiduels réduit le risque de choc électrique.

3) Sécurité personnelle

a) Restez alerte, regarder ce que vous faites et usez de votre bon sens en utilisant un outil électrique.

Ne pas utiliser d'outil électrique si vous êtes sous l'influence de drogues, d'alcool ou de médicaments.

Pendant l'utilisation d'outils électrique, un instant d'inattention peut entraîner des blessures graves.

b) Utiliser un équipement de protection individuelle. Toujours porter des verres de protection.

L'utilisation d'équipements de protection tels que les masques anti-poussière, les chaussures de sécurité anti-dérapantes, les casques ou les protections auditives dans des conditions appropriées réduisent les risques de blessures.

c) Empêcher les démarrages intempestifs. Veiller à ce que l'interrupteur soit en position d'arrêt avant de brancher à une source d'alimentation et/ou une batterie, de ramasser l'outil au sol ou de le transporter.

Transporter les outils électriques avec le doigt sur l'interrupteur ou brancher les outils électriques avec l'interrupteur en position de marche peut entraîner des accidents.

d) Retirer toute clé de sécurité ou clé avant de mettre l'outil électrique en marche.

Laisser une clé ou une clé de sécurité sur une partie mobile de l'outil électrique peut engendrer des blessures.

e) Ne pas trop se pencher. Toujours garder une bonne assise et un bon équilibre pendant le travail.

Cela permet un meilleur contrôle de l'outil électrique dans des situations imprévisibles.

f) Porter des vêtements adéquats. Ne pas porter de vêtements amples ni de bijoux. Maintenir les cheveux, les vêtements et les gants loin des pièces mobiles.

Les vêtements amples ou les cheveux longs peuvent se prendre dans les pièces mobiles.

g) En cas de dispositifs destinés au raccordement d'installations d'extraction et de recueil de la poussière, veiller à ce qu'ils soient correctement raccordés et utilisés.

L'utilisation d'un dispositif de collecte de la poussière peut réduire les dangers associés à la poussière.

4) Utilisation et entretien d'un outil électrique

a) Ne pas forcer sur l'outil électrique. Utiliser l'outil électrique adapté à vos travaux.

Le bon outil électrique fera le travail mieux et en toute sécurité au régime pour lequel il a été conçu.

b) Ne pas utiliser l'outil électrique si l'interrupteur ne le met pas en position de marche et d'arrêt.

Tout outil ne pouvant être contrôlé par l'interrupteur est dangereux et doit être réparé.

c) Débrancher la prise et/ou la batterie avant de procéder à des réglages, au remplacement des accessoires ou au stockage des outils électriques.

Ces mesures préventives de sécurité réduisent les risques de démarrage accidentel de l'outil électrique.

d) Stockez les outils électriques inutilisés hors de la portée des enfants et ne pas laisser des personnes non familiarisées avec l'outil ou ces instructions utiliser l'outil électrique.

Les outils électriques sont dangereux entre les mains d'utilisateurs non habilités.

e) Entretien des outils électriques. Vérifier l'absence de mauvais alignement ou d'arrêt, d'endommagement de pièces ou toute autre condition susceptible d'affecter l'opération de l'outil.

Si l'outil est endommagé, le faire réparer avant utilisation. De nombreux accidents sont dus à des outils mal entretenus.

- f) **Maintenir les outils coupants aiguisés et propres.**
Des outils coupants bien entretenus avec des bords aiguisés sont moins susceptibles de se coincer et plus simples à contrôler.

- g) **Utiliser l'outil électrique, les accessoires et les mèches de l'outil, etc. conformément à ces instructions en tenant compte des conditions d'utilisation et du travail à réaliser.**

L'utilisation de l'outil électrique pour des opérations différentes de celles pour lesquelles il a été conçu est dangereuse.

5) **Service**

- a) **Faire entretenir l'outil électrique par un technicien habilité à l'aide de pièces de rechange identiques exclusivement.**

Cela garantira le maintien de la sécurité de l'outil électrique.

PRECAUTIONS

Maintenir les enfants et les personnes infirmes éloignés. Lorsque les outils ne sont pas utilisés, ils doivent être rangés hors de portée des enfants et des personnes infirmes.

PRECAUTIONS POUR L'UTILISATION DE LA SCIE A SAUTEUSE

Tenir l'outil électrique par les surfaces isolées permettant de l'agripper pour effectuer une opération où l'accessoire de coupe peut entrer en contact avec des fils électriques masqués ou son propre cordon. Le contact de l'accessoire de coupe avec un fil sous tension peut transmettre du courant dans les pièces métalliques exposées de l'outil et communiquer une décharge électrique à l'opérateur.

CARACTERISTIQUES

Modèle	FCJ65V3	FCJ65S3
Tension (par zone)*	(110V, 115V, 120V, 127V, 220V, 230V, 240V) ~	
Puissance	400W*	
Profondeur max. de coupe	Bois: 65mm Acier doux: 6mm	
Vitesse sans charge	0 – 3000 min ⁻¹	3000 min ⁻¹
Course	18mm	
Rayon min. de coupe	25mm	
Poids (sans fil)	1,5kg	

* Assurez-vous de vérifier la plaque signalétique sur le produit, qui peut changer suivant les régions.

ACCESSOIRES STANDARD

- (1) Lame No.31 1
 Pour couper un morceau de bois de charpente épais.
 (2) Anti-éclats 1
 (3) Couvercle d'éclats 1
 (4) Clef à barre à pans 1
 Les accessoires standard sont sujets à changements sans préavis.

ACCESSOIRES EN OPTION (vendus séparément)

- (1) Lames No.1 – No.6, No.31*
 * La lame No.31 est un accessoire standard.
 (2) Guide
 Les accessoires à option sont sujets à changements sans préavis.

APPLICATIONS

- Coupe de différentes sortes de bois de charpente et découpe d'ouvertures
- Coupe de plaques en acier doux, plaques en aluminium et en cuivre
- Coupe de résines synthétiques comme résine phénolique et chlorure de vinyl
- Coupe de matériaux de construction peu épais et tendres

AVANT LA MISE EN MARCHÉ

1. **Source de puissance**
 S'assurer que la source de puissance à utiliser correspond à la puissance indiquée sur la plaque signalétique du produit.
2. **Interrupteur de puissance**
 S'assurer que l'interrupteur de puissance est en position ARRÊT. Si la fiche est branchée alors que l'interrupteur est sur MARCHÉ, l'outil démarre immédiatement et peut provoquer un grave accident.
3. **Fil de rallonge**
 Lorsque la zone de travail est éloignée de la source de puissance, utiliser un fil de rallonge d'une épaisseur suffisante et d'une capacité nominale suffisante. Le fil de rallonge doit être aussi court que possible.

MONTAGE DE LA LAME

1. Utiliser la clef à six pans pour desserrer les vis de réglage de la lame sur le support de lame, suivant la Fig. 1(a).
2. En tenant la lame avec son bord de coupe vers l'avant, introduire la section de montage de la lame dans la fente du piston jusqu'à ce qu'elle touche le fond de la fente.

3. Suivant la **Fig. 1(b)**, bloquer la vis de réglage latérale.

ATTENTION

- Des vis de réglage desserrées peuvent provoquer une détérioration de la lame. S'assurer toujours que les vis sont correctement serrées. S'assurer que la fente du piston est toujours propre et dépourvue de sciure de manière à avoir un montage correct de la lame et un blocage correct des vis.
4. Stockage de la Clé à six pans
- (1) Insérez la clé dans un orifice sur le côté de l'unité principale tout en maintenant le côté le plus court à l'horizontale, comme cela est indiqué sur la **Fig. 2**.
 - (2) Tournez en maintenant la clé à 6 pans insérée et fixez comme cela est indiqué sur la **Fig. 2**.

REGLAGE DU ROULEAUGUIDE

Le rouleau-guide (montré à la **Fig. 3**) est utilisé pour empêcher la lame de se casser brusquement. Avant l'utilisation, régler ce rouleau en suivant les instructions suivantes:

- (1) Desserrer la vis de réglage du support avec la clef à six pans.
- (2) Faites glisser le rouleau-guide en douceur et jusqu'à ce que sa rainure touche légèrement le dos de la lame.

REMARQUE

A la sortie d'usine, il y a un jeu d'environ 3mm entre le rouleau et la lame.

- (3) Serrer la vis de réglage du support à fond.

ATTENTION

- Le rouleau-guide ne peut être utilisé que pour des lames dont la face arrière rectiligne ne dépasse pas 50mm. (**Fig. 4A** et **4B**) Lorsque d'autres types de lames sont utilisés (**Fig. 4C**), pousser le rouleau-guide vers l'arrière, de sorte qu'il ne touche pas la lame.
- Pour scier des panneaux épais ou pour se livrer à des opérations de coupe continues, utiliser la lame montrée à la **Fig. 4A, 4B** et veiller à régler le rouleau-guide.

COUVERCLE D'ÉCLATS

1. Couverture d'éclats

Utiliser le couvercle d'éclats pour réduire la dispersion des particules coupées et pour manipuler plus facilement la scie.

Pousser le couvercle en exerçant une légère pression sur sa partie avant.

Le rouleau-guide peut être réglé sur 3 positions, comme indiqué sur la **Fig. 5**.

2. Choix de la position du couvercle d'éclats

Régler le couvercle d'éclats sur la première position lorsque la lame est fixée ou retirée.

Régler le couvercle d'éclats sur la deuxième position lors de la découpe de bois.

Régler le couvercle, d'éclats sur la deuxième ou la troisième position lors de la découpe de métal ou d'acier.

ATTENTION

- Toujours laisser le couvercle d'éclats en position abaissée lorsqu'on utilise l'outil.
- Porter des lunettes de protection même si le couvercle d'éclats est utilisé.

REGLAGE DE LA VITESSE DE FONCTIONNEMENT DE LA LAME (FCJ65V3 uniquement)

REMARQUE

On ne peut régler la vitesse opérationnelle de la lame pour le modèle FCJ65S3.

La vitesse de fonctionnement de la lame peut être réglée à l'intérieur d'une plage de 0 à 3000 min⁻¹ suivant la pression exercée sur l'interrupteur à détente. Choisir la vitesse appropriée au matériau de la pièce travaillée et/ou aux conditions de travail.

Pour obtenir un fonctionnement continu, presser entièrement la détente et appuyer sur le cliquet. Tourner ensuite le bouton de réglage de vitesse pour régler la vitesse souhaitée.

REMARQUE

Le bouton de réglage de la vitesse effectuée environ 1,5 rotations. Pour mettre l'interrupteur sur ARRÊT, presser de nouveau sur l'interrupteur à détente pour débloquer le cliquet, et relâcher la détente.

COUPE

ATTENTION

- Pendant l'opération de sciage, la base doit être fermement en contact avec la surface de la pièce travaillée, et la lame doit être tenue à angle droit. Si la base se trouve séparée du matériau, ceci peut provoquer la rupture de la lame.
- Lorsqu'on coupe tout en maintenant la surface avant, rester attentif au mouvement de la lame et maintenir fermement la partie supérieure.

1. Coupe rectiligne

- (1) Pour obtenir une coupe rectiligne précise, employer le guide-accessoire en option comme montré à la **Fig. 6**.
- (2) Utiliser le guide anti-éclats pour réduire l'irrégularité de la coupe des matériaux en bois. Fixer le guide en l'insérant par l'avant sur la base jusqu'au dé clic. (**Fig. 7**)

ATTENTION

Diriger la base vers l'avant lorsque le guide antiéclats est utilisé.

2. Coupe d'un cercle ou d'un arc circulaire

Pour obtenir une coupe efficace, employer le guide accessoire en option comme montré à la **Fig. 8** et le clou ou la vis de bois.

Pour monter le guide, desserrer la vis de la base, et pousser la base aussi loin que possible vers l'avant.

3. Sciage de lignes courbes

Pour scier un petit arc circulaire, réduire la vitesse d'alimentation de la machine. Une vitesse trop rapide pourrait provoquer la rupture de la lame.

4. Coupe de matériaux métalliques

Utiliser toujours un agent de coupe qui convient (huile pour abré, eau savonneuse etc.). Si un agent de coupe liquide n'est pas disponible, appliquer de la graisse au dos de la surface du matériau à couper.

5. Découpe d'ouvertures

- (1) Dans du bois de charpente
En alignant la direction de la lame sur le grain du bois, couper morceau par morceau jusqu'à ce qu'une ouverture soit coupée au centre du bois. (**Fig. 9**)

- (2) Dans d'autres matériaux
 Pour couper une ouverture dans des matériaux autres que le bois de charpente, percer d'abord un trou avec une perceuse ou un outil similaire à partir duquel commencer la coupe.

6. Coupe angulaire

Régler le couvercle d'éclats sur la première position. (Fig. 5)

Pour régler l'angle d'inclinaison, desserrer la vis de la base, déplacer la position de la base vers la rainure latérale de la portion semi-circulaire, aligner l'échelle de la portion semi-circulaire (les chiffres gravés sur l'échelle indiquent l'angle d'inclinaison) avec l'arête du logement, et resserrer à fond la vis de la base. (Fig. 10 et 11)

ATTENTION

Lors de l'utilisation du guide, mettre la vis sur le côté opposé au côté incliné. (Fig. 12)

7. Poussière produite en cours d'utilisation

ATTENTION

- Pour éviter tout risque d'accident, mettez l'appareil hors tension en mettant l'interrupteur de MARCHE/ARRET en position ARRET et en débranchant l'appareil lorsque celui-ci n'est pas utilisé.
- Pour plus d'instructions sur l'utilisation du collecteur à poussière et les débris dus à la coupe, veuillez lire le manuel d'instruction du collecteur à poussière.

La poussière générée par une utilisation normale peut affecter la santé de l'opérateur. Nous vous recommandons de respecter l'une des mesures suivantes.

- a) Port d'un masque anti-poussière**
- b) Utilisation d'un équipement de collecte de poussière externe.**

En cas d'utilisation de l'équipement de collecte de la poussière externe, raccordez l'adaptateur en caoutchouc (accessoire de l'équipement de collecte de la poussière externe) à l'extrémité du flexible de l'équipement de collecte de la poussière. Raccordez ensuite l'autre extrémité de l'adaptateur en caoutchouc à la pièce de fixation du tube situé à l'arrière de la scie sauteuse. (Voir Fig. 13).

CHOIX DES LAMES

1. Lames accessoires

Pour obtenir un fonctionnement optimal et les meilleurs résultats possibles, il est très important de choisir la lame la mieux appropriée au type et à l'épaisseur du matériau à couper. Un modèle de lame est fourni comme accessoire standard. Le numéro de lame est gravé près de la section de montage de chaque lame. Choisir les lames appropriées en se référant au **Tableau 1**.

Tableau 1 Liste des lames appropriées

Qualité du matériau	Matériau à couper	No. de lame
Bois de charpente	Bois de charpente général	No.1 ou No.31 (plaque épaisse) ou No.41 (plaque épaisse) ou No.2 (plaque mince)
	Contreplaqué	No.3 ou No.6
Plaque en fer	Plaque en acier doux	No.6
Métal non ferreux	Aluminium, cuivre, laiton	No.6
Résine synthétique	Résine phénolique, résine acrylique, etc.	No.4 (plaque épaisse) ou No.6 (plaque mince)
	Chlorure de vinyl, résine acrylique, etc.	No.2 (plaque épaisse), No.4 (Plaque épaisse) ou No.6 (plaque mince)
	Styrène moussé, etc.	No.2
Pulpe	Carton, papier ondulé	No.2
	Isorel	No.5 ou No.6
	Panneau fibreux	No.6
Autres	Caoutchouc dur	No.2
	Ardoise	No.5

2. Lames du commerce acceptables (Fig. 14)

Cette machine est conçue pour accepter la plupart des lames disponibles sur le marché. Le Fig. 14 donne les dimensions à respecter:

- Epaisseur : L2 Inférieur à 1,6mm
- Largeur : L3 6,3mm
- L4 8mm
- L5 7mm

REMARQUE

Lorsque des matériaux épais sont découpés, utiliser les lames originales HITACHI ayant l'inclinaison indiquée sur la Fig. 4-A ou B.

ENTRETIEN ET CONTROLE

1. Contrôle de la lame

L'utilisation continue d'une lame émoussée ou abîmée peut conduire à une réduction de l'efficacité de coupe et provoquer une surcharge du moteur. Remplacer la lame par une nouvelle dès que des traces d'abrasion apparaissent.

2. Contrôle des vis de montage

Vérifier régulièrement les vis de montage et s'assurer qu'elles sont correctement serrées. Resserrer immédiatement toute vis desserrée. Sinon, il y a danger sérieux.

3. Entretien du moteur

Le bobinage de l'ensemble moteur est le "cœur" même de l'outil électro-portatif. Veiller soigneusement à ce que ce bobinage ne soit pas endommagé et/ou mouillé par de l'huile ou de l'eau.

4. Remplacement du cordon d'alimentation

Si le cordon d'alimentation de l'outil est endommagé, rapporter l'outil à un service après-vente HITACHI agréé pour faire remplacer le cordon.

5. Entretien

Consulter un agent agréé en cas de panne de l'outil.

6. Liste des pièces de rechange

- A: No. élément
- B: No. code
- C: No. utilisé
- D: Remarques

ATTENTION

Les réparations, modifications et inspections des outils électriques Hitachi doivent être confiées à un service après-vente Hitachi agréé.

Il sera utile de présenter cette liste de pièces à un centre de service après-vente Hitachi agréé lorsqu'on apporte un outil nécessitant des réparations ou tout autre entretien.

Lors de l'utilisation et de l'entretien d'un outil électrique, respecter les règlements et les normes de sécurité en vigueur dans le pays en question.

MODIFICATIONS

Les outils électriques Hitachi sont constamment améliorés et modifiés afin d'incorporer les tous derniers progrès technologiques.

En conséquence, il est possible que certaines pièces (c.-à-d. no. de code et/ou dessin) soient modifiées sans avis préalable.

GARANTIE

Nous garantissons que l'ensemble des Outils électriques Hitachi sont conformes aux réglementations spécifiques statutaires/nationales. Cette garantie ne couvre pas les défauts ni les dommages inhérents à une mauvaise utilisation, une utilisation abusive ou l'usure et les dommages normaux. En cas de réclamation, veuillez envoyer l'Outil électrique, en l'état, accompagné du CERTIFICAT DE GARANTIE qui se trouve à la fin du Mode d'emploi, dans un service d'entretien autorisé.

REMARQUE

Par suite du programme permanent de recherche et de développement HITACHI, ces spécifications peuvent faire l'objet de modifications sans avis préalable.

Au sujet du bruit et des vibrations

Les valeurs mesurées ont été déterminées en fonction de la norme EN60745 et déclarées conforme à ISO 4871.

Le niveau de pression acoustique pondéré A type est de 84 dB (A)

Le niveau de puissance sonore pondérée A type est de 95 dB (A)

Incertitude KpA: 3 dB (A)

Porter des protections anti-bruit.

Valeurs totales des vibration (somme vectorielle triaxiale) déterminée conformément à EN60745.

Couper du bois:

Valeur d'émission de vibration **a_h, CW** = 18,3 m/s²

Incertitude K = 2,1 m/s²

Couper de la tôle:

Valeur d'émission de vibration **a_h, CM** = 17,2 m/s²

Incertitude K = 4,3 m/s²

La valeur totale des vibrations a été mesurée par une méthode d'essai standard et peut être utilisée pour comparer un outil à un autre.

Elle peut également être utilisée pour une évaluation préliminaire du niveau d'exposition.

AVERTISSEMENT

- La valeur d'émission de vibration en fonctionnement de l'outil électrique peut être différente de la valeur totale déclarée, en fonction des utilisations de l'outil.
- Identification les mesures de protection de l'utilisateur fondées sur une estimation de l'exposition en conditions d'utilisation (tenant compte de tous les aspects du cycle d'utilisation, tels que les moments où l'outil est mis hors tension ou lorsqu'il tourne à vide en plus des temps de déclenchements).

AVVERTIMENTI GENERALI DI SICUREZZA SUGLI UTENSILI ELETTRICI

⚠ AVVERTENZA

Leggere tutti gli avvertimenti di sicurezza e tutte le istruzioni.

La mancata osservanza degli avvertimenti e delle istruzioni potrebbe essere causa di scosse elettriche, incendi e/o gravi lesioni.

Salvare tutti gli avvertimenti e le istruzioni per riferimenti futuri.

Il termine "elettroutensili" riportato nelle avvertenze si riferisce agli elettroutensili azionati con alimentazione di rete (via cavi) o a batterie (senza cavi).

1) Sicurezza dell'area operativa

a) Mantenere l'area operativa pulita e ordinata.

Aree operative sporche o disordinate possono favorire gli infortuni.

b) Non utilizzare gli elettroutensili in atmosfere esplosive, ad es. in presenza di liquidi, gas o polveri infiammabili. Gli elettroutensili generano delle scintille che potrebbero accendere la polvere o i fumi.

c) Tenere lontani bambini e astanti durante l'utilizzo degli elettroutensili.

Qualsiasi distrazione può essere causa di perdita di controllo.

2) Sicurezza elettrica

a) Le spine degli elettroutensili devono essere idonee alle prese disponibili.

Non modificare mai le prese.

Con gli elettroutensili a massa (messi a terra), non utilizzare alcun adattatore.

L'utilizzo di spine intatte e corrispondenti alle prese disponibili ridurrà il rischio di scosse elettriche.

b) Evitare qualsiasi contatto con le superfici a massa o a terra, quali tubi, radiatori, fornelli e frigoriferi.

In caso di messa a terra o massa del corpo, sussiste un maggior rischio di scosse elettriche.

c) Non esporre gli elettroutensili alla pioggia o all'umidità.

La penetrazione di acqua negli elettroutensili aumenterà il rischio di scosse elettriche.

d) Non tirare il cavo. Non utilizzarlo per il trasporto, o per tirare o scollegare l'elettroutensile.

Tenere il cavo lontano da fonti di calore, oli, bordi appuntiti o parti in movimento.

Cavi danneggiati o attorcigliati possono aumentare il rischio di scosse elettriche.

e) Durante l'uso degli elettroutensili all'esterno, utilizzare una prolunga idonea per usi esterni.

L'utilizzo di cavi per esterno riduce il rischio di scosse elettriche.

f) Se è impossibile evitare l'impiego di un utensile elettrico in un luogo umido, utilizzare l'alimentazione protetta da un dispositivo a corrente residua (RCD).

L'uso di un RCD riduce il rischio di scosse elettriche.

3) Sicurezza personale

a) Durante l'uso degli elettroutensili, state all'erta, verificate ciò che state eseguendo e adottate sempre il buon senso.

Non utilizzate gli elettroutensili qualora siate stanchi, sotto l'influenza di farmaci, alcol o cure mediche.

Anche un attimo di disattenzione durante l'uso degli elettroutensili potrebbe essere causa di gravi lesioni personali.

b) Indossate l'attrezzatura di protezione personale. Indossate sempre le protezioni oculari.

L'attrezzatura protettiva, quali maschera facciale, calzature antiscivolo, caschi o protezioni oculari ridurrà il rischio di lesioni personali.

c) Impedite le accensioni involontarie. Prima del collegamento a una sorgente di alimentazione e/o pacco batteria e prima di raccogliere o trasportare l'utensile, verificate che l'interruttore sia posizionato su OFF.

Il trasporto degli elettroutensili tenendo le dita sull'interruttore o l'attivazione elettrica degli utensile che hanno l'interruttore su ON, implica il rischio di incidenti.

d) Prima di attivare l'elettroutensile, rimuovete qualsiasi chiave di regolazione.

Lasciando la chiave in un componente in rotazione dell'elettroutensile, sussiste il rischio di lesioni personali.

e) Mantenersi in equilibrio. Mantenersi sempre su due piedi, in equilibrio stabile.

Ciò consente di controllare al meglio l'elettroutensile in caso di situazioni impreviste.

f) Vestirsi in modo adeguato. Non indossare abiti larghi o gioielli. Tenere i capelli, gli abiti e i guanti lontano dalle parti in movimento.

Abiti allentati, gioielli e capelli lunghi potrebbero impigliarsi nelle parti in movimento.

g) In caso di dispositivi provvisti di collegamento ad apparecchiature di rimozione e raccolta polveri, verificare che queste siano collegate e utilizzate in modo adeguato.

L'utilizzo della raccolta della polvere può ridurre i rischi connessi alle polveri.

4) Utilizzo e manutenzione degli elettroutensili

a) Non utilizzare elettroutensili non idonei. Utilizzare l'elettroutensile idoneo alla propria applicazione.

Utilizzando l'elettroutensile corretto, si garantirà un'esecuzione migliore e più sicura del lavoro, alla velocità di progetto.

b) Non utilizzare l'elettroutensile qualora non sia possibile accenderlo/spegnarlo tramite l'interruttore.

È pericoloso utilizzare elettroutensili che non possano essere azionati dall'interruttore. Provvedere alla relativa riparazione.

c) Prima di effettuare qualsiasi regolazione, sostituire gli accessori o depositare gli elettroutensili, scollegare la spina dalla presa elettrica e/o il pacco batteria dall'utensile elettrico.

Queste misure di sicurezza preventive riducono il rischio di avvio involontario dell'elettroutensile.

d) Depositare gli elettroutensili non utilizzati lontano dalla portata dei bambini ed evitare che persone non esperte di elettroutensili o non a conoscenza di quanto riportato sulle presenti istruzioni azionino l'elettroutensile.

È pericoloso consentire che utenti non esperti utilizzino gli elettroutensili.

e) Manutenzione degli elettroutensili. Verificare che non vi siano componenti in movimento disallineati o bloccati, componenti rotti o altre condizioni che potrebbero influenzare negativamente il funzionamento dell'elettroutensile.

In caso di guasti, provvedere alla riparazione dell'elettroutensile prima di riutilizzarlo.

Molti incidenti sono causati da una scarsa manutenzione.

- f) **Mantenere gli strumenti di taglio affilati e puliti.**
Gli strumenti di taglio in condizioni di manutenzione adeguata, con bordi affilati, sono meno soggetti al bloccaggio e sono più facilmente controllabili.
- g) **Utilizzare l'elettro utensile, gli accessori, le barrette, ecc. in conformità a quanto riportato nelle presenti istruzioni, tenendo in debita considerazione le condizioni operative e il tipo di lavoro da eseguire.**

L'uso dell'utensile elettrico per operazioni diverse da quelle previste potrebbe causare una situazione pericolosa.

5) Assistenza

- a) **Affidate le riparazioni dell'elettro utensile a persone qualificate che utilizzino solamente parti di ricambio identiche.**

Ciò garantirà il mantenimento della sicurezza dell'elettro utensile.

CARATTERISTICHE

Modello	FCJ65V3	FCJ65S3
Voltaggio (per zona)*	(110V, 115V, 120V, 127V, 220V, 230V, 240V) ~	
Potenza assorbita	400W*	
Profondità massima di taglio	Legno: 65mm Acciaio tenero: 6mm	
Velocità senza carico	0 – 3000 min ⁻¹	3000 min ⁻¹
Corsa	18mm	
Raggio minimo di taglio	25mm	
Peso (senza cavo)	1,5kg	

* Accertatevi di aver controllato bene la piastrina perché essa varia da zona a zona.

ACCESSORI STANDARD

- (1) Lama n.31 1
 Per tagliare legno spesso
- (2) Para-schegge 1
- (3) Raccoglitrucioli 1
- (4) Chiave maschia esagonale 1
- Gli accessori standard possono essere soggetti a cambiamento senza preavviso.

ACCESSORI DISPONIBILI A RICHIESTA (venduti separatamente)

- (1) Lame n.1 – n.6, n.31*
 * La lama N.31 è un accessorio standard.
- (2) Guida
- Gli accessori disponibili a richiesta possono essere soggetti a cambiamento senza preavviso.

IMPIEGHI

- Taglio di vari tipi di legno e lavori a traforo
- Taglio di lamiera d'acciaio tenero, alluminio e rame
- Taglio di resine sintetiche quali resine fenoliche e cloruro di vinile
- Taglio di materiali da costruzione sottili e teneri

PRECAUZIONI

Tenere lontano dalla portata di bambini e invalidi.
Quando non utilizzati, gli strumenti dovranno essere depositi lontano dalla portata di bambini e invalidi.

PRECAUZIONI DURANTE L'USO DEL SEGNETTO ALTERNATIVO

Afferrare l'utensile dalle superfici isolate quando si eseguono operazioni in cui l'attrezzo di taglio potrebbe venire a contatto con fili elettrici nascosti o con il proprio cavo. Il contatto dell'accessorio da taglio con un filo in tensione potrebbe mettere in tensione le parti metalliche esposte dell'utensile e dare una scossa elettrica all'operatore.

PRIMA DELL'USO

- 1. Alimentazione**
 Assicurarsi che la rete di alimentazione che si vuole usare sia compatibile con le caratteristiche relative all'alimentazione di corrente specificate nella piastrina dell'apparecchio.
- 2. Interruttore di corrente**
 Mettere l'interruttore in posizione SPENTO. Se la spina è infilata in una presa mentre l'interruttore è acceso, l'utensile elettrico si mette immediatamente in moto, facilitando il verificarsi di incidenti gravi.
- 3. Prolunga del cavo**
 Quando l'ambiente di lavoro è lontano da una presa di corrente, usare una prolunga del cavo di sufficiente spessore e di prestazione adeguata. La prolunga deve essere più Corta possibile.

MONTAGGIO DELLA LAMA

1. Usare la chiave maschia esagonale, fornita come accessorio, per allentare le viti di fissaggio della lama sul portalama, così come indicato nella **Fig. 1(a)**.
2. Tenendo la lama con il taglio verso l'avanti, inserire nel solco del pistone la parte della lama destinata al fissaggio, fino a che quest'ultima tocca il fondo del solco.
3. Come si vede dalla **Fig. 1(b)**, serrare a fondo la vite laterale di fissaggio.

ATTENZIONE

- Se le viti di fissaggio non sono serrate, si può danneggiare la lama. Assicurarsi sempre che le viti di fissaggio siano serrate a fondo. Assicurarsi sempre che il solco del pistone sia pulito e privo di segatura e fare attenzione a che la lama sia montata nel modo giusto e le viti di fissaggio siano ben serrate.
- 4. Stoccaggio della chiave maschia esagonale
 - (1) Inserire in un foro sul lato dell'unità principale tenendo il lato corto orizzontalmente come indicato in **Fig. 2**.
 - (2) Ruotare con la chiave maschia esagonale inserita e fissare come indicato in **Fig. 2**.

REGOLAZIONE DEL RULLO DI GUIDA

Il rullo di guida che si vede nella **Fig. 3** è usato per impedire che la lama si spezzi. Prima dell'uso, regolare il rullo di guida nel modo seguente:

- (1) Con la chiave accessoria maschia esagonale allentare la vite di tenuta del supporto.
- (2) Spingere delicatamente il rullo di guida fino a che l'intaglio del rullo tocchi leggermente il dorso della lama.

NOTA

Al momento della consegna dalla fabbrica, c'è uno spazio di circa 3mm tra rullo e lama.

- (3) Serrare a fondo la vite di tenuta del supporto.

ATTENZIONE

- Il rullo di guida può essere usato solo per lame che hanno una linea dritta sul retro più lunga di 50mm. (**Fig. 4A** e **4B**) Quando si usano altri tipi di lame (**Fig. 4C**), fare scorrere il rullo di guida verso il dietro in modo che il rullo di guida non tocchi la lama.
- Per tagliare delle tevole spesse o per eseguire operazioni di taglio continue, usare la lama illustrata nelle **Fig. 4A, 4B** assicurandosi di posizionare il rullo della guida.

POSIZIONAMENTO DEL RACCOGLITRUCIOLI**1. Raccoglitrucioli**

Usare il raccoglitrucioli per ridurre lo spargimento di parti di taglio e usare facilmente la sega. Fare scorrere il raccoglitrucioli premendo leggermente la sua parte anteriore.

Il raccoglitrucioli può essere regolato su tre posizioni come illustrato nella **Fig. 5**.

2. Come scegliere la posizione per il raccoglitrucioli

Regolare il raccoglitrucioli sul primo passo quando si colloca o si toglie la lama.

Regolare il raccoglitrucioli sul secondo passo quando si tagliano materiali in legno.

Regolare il raccoglitrucioli sul secondo o terzo passo quando si tagliano materiali di metallo come acciaio.

ATTENZIONE

- Tenere sempre il paraschegge in posizione abbassata durante l'uso dell'utensile.
- Portare gli occhiali di protezione anche se si usa il raccoglitrucioli.

REGOLAZIONE DELLA VELOCITÀ DI FUNZIONAMENTO DELLA LAMA .. (Solo FCJ65V3)**NOTA**

La velocità a della lama dell'FCJ65S3 non può essere regolata.

La velocità di funzionamento della lama può essere regolata nel campo da 0 a 3000 min⁻¹, secondo lo spostamento imposto all'interruttore a grilletto dalla pressione del dito. Scegliere la velocità adeguata al materiale dell'oggetto da lavorare e/o alle condizioni di lavoro.

Per ottenere il funzionamento continuo, spingere fino in fondo il grilletto e premere sul tasto di bloccaggio. Girare quindi il tasto di regolazione della velocità per regolare la velocità di funzionamento della lama al livello desiderato.

NOTA

Il tasto di regolazione della velocità ruota all'incirca di 1,5 giri. Per spegnere l'interruttore, premere di nuovo l'interruttore a grilletto in modo da liberare il bloccaggio e rilasciare il grilletto.

TAGLIO**ATTENZIONE**

- Mentre si sega, la base deve essere bene a contatto con la superficie dell'oggetto da lavorare e la lama deve essere tenuta ad angolo retto. Se la base si distacca dal materiale si può verificare la rottura della lama.
- Durante operazioni di taglio eseguite impugnando la superficie anteriore, fare attenzione alla lama in movimento e tenere saldamente la parte superiore.

1. Taglio rettilineo

(1) Per ottenere un taglio rettilineo accurato, impiegare l'accessorio opzionale "guida", come indicato nella **Fig. 6**.

(2) Usare il para-schegge per ridurre la ruvidezza della superficie di taglio di materiali in legno. Applicare il para-schegge inserendo dalla parte anteriore della base fino a quando scatta in posizione. (**Fig. 7**)

ATTENZIONE

Regolare la base sulla posizione anteriore quando si usa il para-schegge.

2. Taglio a cerchio o ad arco di cerchio

Per ottenere un taglio efficace, usare gli accessori opzionali "guida" e "chiodo o vite del legno" come indicato nella **Fig. 8**.

Quando si monta la guida, allentare la vite inferiore della base e far scorrere la base in avanti per tutta la sua corsa.

3. Taglio di linee curve

Quando si sega un piccolo arco circolare, ridurre la velocità di avanzamento dell'utensile. Se la macchina è spinta troppo in fretta si può provocare la rottura della lama.

4. Taglio di materiali metallici

Usare sempre una sostanza da taglio (olio lubrificante molto fluido, acqua saponata, ecc.). Quando non si ha a disposizione una sostanza da taglio, applicare del grasso sul rovescio del materiale da tagliare.

5. Lavori a traforo

(1) Nel legno

Allineando la direzione della lama con la venatura del legno, tagliare poco a poco fino a produrre una apertura al centro del legno. (Fig. 9)

(2) In altri materiali

Per praticare un'apertura in materiali diversi dal legno, fare da prima un foro con un trapano, o con un attrezzo similare, dal quale partire per l'esecuzione del taglio.

6. Taglio ad angolo

Regolare il raccoglitruciolì sul primo passo. (Fig. 5)

Regolazione dell'angolo d'inclinazione: allentare la vite sul fondo della base, mettere la base sulla scanalatura laterale della parte semicircolare, allineare la gradazione riportata sulla parte semicircolare della base (le cifre incise sulla scala indicano i gradi d'inclinazione) con il bordo dell'involucro e serrare a fondo la vite del fondo della base. (Fig. 10 e 11)

ATTENZIONE

Regolare la vite sulla parte opposta del lato inclinato quando si usa la guida. (Fig. 12)

7. Polvere generate durante l'uso

AVVERTENZA

- Per prevenire incidenti, disattivare l'interruttore e rimuovere la spina dalla corrente quando non è in uso.
- Per istruzioni sull'uso del raccogli-polvere e i relativi truciolì generati dal taglio, si prega di leggere il manuale d'istruzioni del raccogli-polvere.

La polvere generata durante il normale funzionamento può essere nociva per la salute dell'operatore. Si consiglia di prendere una delle seguenti precauzioni.

a) Indossare una maschera per la polvere

b) Usare apparecchi esterni per la raccolta della polvere

Durante l'uso di apparecchi esterni per la raccolta della polvere, collegare l'adattatore di gomma (accessorio dell'apparecchio esterno di raccolta della polvere) all'estremità del tubo dell'apparecchio esterno di raccolta della polvere.

Dopodiché, collegare l'altra estremità dell'adattatore di gomma all'attacco del tubo posizionato nell'estremità posteriore del seghetto alternativo. (Vedere Fig. 13)

SCELTA DELLE LAME

1. Lame accessorie

Per assicurare la massima efficacia di funzionamento e di risultati, è molto importante scegliere la lama appropriata, che meglio si addice al tipo ed allo spessore del materiale da tagliare. Un tipo di lama è fornito come a accessorio standard. Il numero della lama è riportato nei pressi della porzione di fissaggio di ogni lama. Scegliere la lama opportuna facendo riferimento alla **Tabella 1**.

Tabella 1 Elenco delle lame adatte

Materiale da tagliare	Qualità del materiale	n. della lama
Legno	Legno comune	n.1 o n.31 (piastra spessa) o n.41 (piastra spessa) o n.2 (piastra sottile)
	Compensato	n.3 o n.6
Lamiera di ferro	Lamiera di acciaio tenero	n.6
Metalli non ferrosi	Alluminio, rame, ottone	n.6
Resine sintetiche	Resina fenolica, resina acrilica, ecc.	n.4 (piastra spessa) o n.6 (piastra sottile)
	Cloruro di vinile, resina acrilica, ecc.	n.2 o n.4 (piastra spessa) o n.6 (piastra sottile)
	Schiuma stirolica, ecc.	n.2
Pasta	Cartone, cartone ondulato	n.2
	Fibra di legno	n.5 o n.6
	Legno sintetico	n.6
Altri	Gomma dura	n.2
	Ardesia	n.5

2. Lame disponibili in commercio (Fig. 14)

Questo utensile è stato concepito in modo da poter montare la maggior parte delle lame disponibili nel commercio libero. Come si vede dalla **Fig. 14**, le restrizioni sulle dimensioni delle lame sono le seguenti:

- Spessore : L2 Inferiore a 1,6mm
- Larghezza : L3 6,3mm
- L4 8mm
- L5 7mm

NOTA

Quando si tagliano materiali spessi, usare lame autentiche HITACHI con una inclinazione come mostrato nella **Fig. 4-A o B**.

MANUTENZIONE E CONTROLLO

1. Controllo della lama

L'uso continuativo di lame danneggiate o rovinate comporta una ridotta efficacia nel taglio e può causare sovraccarico del motore. Sostituire la lama con una nuova non appena si nota un'eccessiva rottura.

2. Controllo delle viti di tenuta

Controllare regolarmente tutte le viti di tenuta e assicurarsi che siano esclusivamente serrate. Nel caso che una di queste viti dovesse allentarsi riserrarla immediatamente. Se ciò non avviene si può causare un grave incidente.

3. Manutenzione del motore

L'avvolgimento del motore il vero e proprio "cuore" degli attrezzi elettrici. Fare attenzione a non danneggiare l'avvolgimento e/o non bagnarlo con olio o acqua.

4. Sostituzione del cavo di alimentazione

Se il cavo di alimentazione dell'attrezzo è danneggiato, l'attrezzo deve essere rinviato ad un centro assistenza autorizzato Hitachi per la sostituzione del cavo.

5. Manutenzione

In caso di mancato funzionamento di un utensile elettrico, rivolgersi ad una officina autorizzata.

6. Lista dei pezzi di ricambio

- A: N. voce
- B: N. codice
- C: N. uso
- D: Note

ATTENZIONE

Riparazioni, modifiche e ispezioni di utensili elettrici Hitachi devono essere eseguite da un centro assistenza autorizzato Hitachi.

Questa lista dei pezzi torna utile se viene presentata con l'utensile al centro assistenza autorizzato Hitachi quando si richiedono riparazioni o altri interventi di manutenzione.

Nell'uso e nella manutenzione degli utensili elettrici devono essere osservate le normative di sicurezza e i criteri prescritti in ciascun paese.

MODIFICHE

Gli utensili elettrici Hitachi vengono continuamente migliorati e modificati per includere le più recenti innovazioni tecnologiche.

Di conseguenza, alcuni pezzi (p.es. numero di codice e/o design) possono essere modificati senza preavviso.

GARANZIA

Garantiamo gli Utensili Elettrici Hitachi in conformità alle specifiche normative imposte dalla legge e dai paesi. Questa garanzia non copre difetti o danni dovuti a uso erraneo, abuso o normale usura. In caso di lamentele, si prega di inviare l'Utensile Elettrico, non smontato, insieme al CERTIFICATO DI GARANZIA che si trova al termine di queste Istruzioni per l'uso, ad un Centro di Assistenza Autorizzato Hitachi.

NOTA

A causa del continuo programma di ricerca e sviluppo della HITACHI, le caratteristiche riportate in questo foglio sono soggette a cambiamenti senza preventiva comunicazione.

Informazioni riguardanti i rumori trasmessi dall'aria e le vibrazioni

I valori misurati sono stati determinati in conformità a EN60745 e descritti in conformità alla normativa ISO 4871.

Il livello di pressione sonora pesato A tipico è di 84 dB (A)

Il livello di potenza sonora pesato A tipico è di 95 dB (A)

KpA incertezza: 3 dB (A)

Indossare i dispositivi di protezione acustica.

Valori totali di vibrazione (somma vettori triass.) determinati secondo la norma EN60745.

Taglio del legno:

Valore di emissione vibrazioni **a_h, CW** = 18,3 m/s²

Incertezza K = 2,1 m/s²

Taglio di lastre metalliche:

Valore di emissione vibrazioni **a_h, CM** = 17,2 m/s²

Incertezza K = 4,3 m/s²

Il valore totale di emissione vibrazioni dichiarato è stato misurato in base al metodo di test standard e può essere utilizzato per confrontare un utensile con un altro.

Può essere inoltre utilizzato per la stima preliminare dell'esposizione.

AVVERTENZA

- Il valore di emissione vibrazioni durante l'uso effettivo dell'utensile può essere diverso dal valore totale dichiarato in base alle modalità di utilizzo dell'utensile stesso.
- Identificare le misure di sicurezza per la protezione dell'operatore basate su stima dell'esposizione nelle effettive condizioni di utilizzo (prendendo in considerazione tutte le parti del ciclo di funzionamento come i tempi in cui l'utensile resta spento e quando funziona senza essere utilizzato in aggiunta al tempo di avvio).

ALGEMENE VEILIGEDSWAARSCHUWINGEN VOOR ELEKTRISCH GEREEDSCHAP

⚠ WAARSCHUWING

Lees alle waarschuwingen en instructies aandachtig door.

Nalating om de waarschuwingen en instructies op te volgen kan in een elektrische schok, brand en/of ernstig letsel resulteren.

Bewaar alle waarschuwingen en aanwijzingen voor eventuele naslag in de toekomst.

De term "elektrisch gereedschap" heeft zowel betrekking op elektrisch gereedschap dat via de netvoeding van stroom wordt voorzien als gereedschap dat via een accu (snoerloos) van stroom wordt voorzien.

1) Veiligheid van de werkplek

a) Zorg voor een schone en goed verlichte werkplek.

Een rommelige of donkere werkplek verhoogt de kans op ongelukken.

b) Gebruik het elektrisch gereedschap niet in een omgeving met ontvopbare vloeistoffen, gassen of stof.

Elektrisch gereedschap kan vonken afgeven. Deze vonkjes kunnen stofdeeltjes of gassen doen ontbranden.

c) Houd kinderen en andere toeschouwers tijdens het gebruik van elektrische gereedschap uit de buurt.

Afleidingen kunnen gevaarlijk zijn.

2) Elektrische veiligheid

a) De stekker op het elektrische gereedschap moet geschikt zijn voor aansluiting op de wandcontactdoos.

De stekker mag op geen enkele manier gemodificeerd worden. Gebruik geen verloopstekker met geaard elektrisch gereedschap.

Deugdelijke stekkers en geschikte wandcontactdozen verminderen het risico op een elektrische schok.

b) Vermijd lichamen contact met geaarde oppervlakken zoals leidingen, radiatoren, fornuizen en koelkasten.

Wanneer uw lichaam in contact staat met geaarde oppervlakken loopt u een groter risico op een elektrische schok.

c) Stel het elektrisch gereedschap niet bloot aan regen of vochtige omstandigheden.

Het risico op een elektrische schok wordt vergroot wanneer er water in het elektrisch gereedschap terechtkomt.

d) Behandel het snoer voorzichtig. Draag het gereedschap nooit door dit bij het snoer vast te houden. Trek niet aan het snoer wanneer u de stekker uit het stopcontact wilt halen.

Houd het snoer uit de buurt van warmtebronnen, olie, scherpe randen of bewegende onderdelen.

Een beschadigd of verward snoer verhoogt het risico op een elektrische schok.

e) Gebruik buitenshuis een verlengsnoer dat specifiek geschikt is voor het gebruik buiten.

Het gebruik van een snoer dat specifiek geschikt is voor gebruik buitenshuis vermindert het risico op een elektrische schok.

f) Als het elektrisch gereedschap in een vochtige omgeving gebruikt moet worden, dient een voeding met RCD (reststroom-apparaat) beveiliging te worden gebruikt.

Gebruik van een RCD vermindert de kans op een elektrische schok.

3) Persoonlijke veiligheid

a) Blijf waakzaam, let voortdurend op uw werk en gebruik uw gezond verstand wanneer u elektrisch gereedschap gebruikt.

Gebruik geen elektrisch gereedschap wanneer u moe bent of onder invloed van drugs, alcohol of medicijnen.

Eén moment van onoplettendheid kan in ernstig lichamenlijk letsel resulteren.

b) Gebruik persoonlijke beschermingsmiddelen. Draag altijd oogbescherming.

Beschermingsmiddelen zoals stofmaskers, niet-glijdende veiligheidschoenen, een helm of oorbescherming vermindert het risico op lichamenlijk letsel.

c) Voorkom dat het gereedschap per ongeluk kan starten. Controleer of de schakelaar in de uit-stand staat voordat u de voeding en/of de accu aansluit, het gereedschap oppakt of gaat dragen.

Zorg ervoor dat u tijdens het verplaatsen van het elektrisch gereedschap uw vingers uit de buurt van de schakelaar houdt en sluit de stroombron niet aan terwijl de schakelaar aan staat om ongelukken te vermijden.

d) Verwijder sleutels en moersleutels uit het gereedschap voordat u het elektrisch gereedschap aanzet.

Een (moer-)sleutel die op een bewegend onderdeel van het elektrisch gereedschap bevestigd is kan in lichamenlijk letsel resulteren.

e) Reik niet te ver. Zorg ervoor dat u te allen tijde stevig staat en uw evenwicht behoudt.

Op deze manier heeft u tijdens een onverwachte situatie meer controle over het elektrisch gereedschap.

f) Draag geen loszittende kleding of sieraden. Houd uw haar, kleding en handschoenen uit de buurt van bewegende onderdelen.

Loszittende kleding, sieraden en lang haar kunnen in de bewegende onderdelen verstrikt raken.

g) Indien het elektrisch gereedschap van een aansluiting voor stofafzuiging is voorzien dan dient u ervoor te zorgen dat de stofafzuiging aangesloten en op de juiste manier gebruikt wordt.

Het gebruik van stofafzuiging vermindert eventuele stofgerelateerde risico's.

4) Bediening en onderhoud van elektrisch gereedschap

a) Het elektrisch gereedschap mag niet geforceerd worden. Gebruik het juiste gereedschap voor het karwei.

U kunt de klus beter en veiliger uitvoeren wanneer u het juiste elektrische gereedschap gebruikt.

b) Gebruik het elektrisch gereedschap niet als de schakelaar niet goed werkt.

Elektrisch gereedschap dat niet via de schakelaar bediend kan worden is gevaarlijk en moet onmiddellijk gerepareerd worden.

c) Haal de stekker uit het stopcontact voordat u de voeding en/of de accu van het elektrisch gereedschap losmaakt, afstellingen verricht, accessoires verwisselt of voordat u het elektrisch gereedschap opbergt.

Dergelijke preventieve veiligheidsmaatregelen verminderen het risico dat het elektrisch gereedschap per ongeluk opstart.

d) Berg elektrisch gereedschap buiten het bereik van kinderen en op sta niet toe dat personen die niet bekend zijn met het juiste gebruik van het gereedschap of deze voorschriften dit elektrisch gereedschap gebruiken.

Elektrisch gereedschap is gevaarlijk in onbevoegde handen.

e) Het elektrisch gereedschap moet regelmatig onderhouden worden. Controleer het gereedschap op een foutieve uitlijning, vastgelopen of defecte bewegende onderdelen en andere problemen die van invloed zijn op de juiste werking van het gereedschap.

Indien het gereedschap defect of beschadigd is moet het gerepareerd worden voordat u het gereedschap opnieuw gebruikt.

Slecht onderhouden elektrisch gereedschap is verantwoordelijk voor een groot aantal doe-het-zelf ongelukken.

- f) **Houd snijwerktuigen scherp en schoon.**
Goed onderhouden snijwerktuigen met scherpe snijranden lopen minder snel vast en zijn gemakkelijker in het gebruik.
- g) **Elektrisch gereedschap, toebehoren, bits enz. moeten in overeenstemming met deze instructies worden gebruikt waarbij de werkomstandigheden en het werk in overweging moeten worden genomen.**
Gebruik van het elektrisch gereedschap voor andere doeleinden dan waarvoor het is bedoeld, kan resulteren in een gevaarlijke situatie.

- 5) **Onderhoudsbeurt**
- a) **Het gereedschap mag uitsluitend door bevoegd onderhoudspersoneel worden onderhouden die authenticiteit onderdelen gebruikt.**
Hierdoor kunt u erop aan dat de veiligheid van het elektrisch gereedschap behouden blijft.

TECHISCHE GEGEVENS

Model	FCJ65V3	FCJ65S3
Voltage (verschillend van gebied tot gebied)*	(110V, 115V, 120V, 127V, 220V, 230V, 240V) ~	
Opgenomen vermogen	400W*	
Max. zaagdiepte	Hout: 65mm Vloeistaal: 6mm	
Aantal slagen onbelast	0 – 3000 min ⁻¹	3000 min ⁻¹
Slaglengte	18mm	
Kleinste zaagstraal	25mm	
Gewicht (zonder kabel)	1,5kg	

* Controleer het naamplaatje op het apparaat daar het apparaat afhankelijk van het gebied waar het verkocht wordt gewijzigd kan worden.

STANDAARD TOEBEHOREN

- (1) Zaagblad nr.31 1
 Voor het zagen van dik bestekhout
- (2) Anti-splinterstuk 1
- (3) Spaankast 1
- (4) Inbussleutel 1
- De standaard toebehoren kunnen zonder aankondiging op ieder moment worden veranderd.

EXTRA TOEBEHOREN (los te verkrijgen)

- (1) Zaagbladen, nr.1 – nr.6, nr.31*
 * Het nr.31 zaagblad wordt standaard toebehoren.
- (2) Geleider
 De extra toebehoren kunnen zonder aankondiging op ieder moment worden veranderd.

TOEPASSINGSGEBIEDEN

- Het zagen van verschillende timmerhoutsoorten
- Het zagen van vloeastalen platen, aluminium platen en koperen platen
- Het zagen van kunsthars, zoals phenolhars en vinylchloride
- Het zagen van dun en zacht bouw materiaal

VOORZORGMAATREGELEN

Houd kinderen en kwetsbare personen op een afstand.
 Het gereedschap moet na gebruik buiten het bereik van kinderen en andere kwetsbare personen worden opgeborgen.

VOORZORGMAATREGELEN BIJ GEBRUIK VAN DE DECOUPEERZAAG

Houd het gereedschap vast aan de geïsoleerde handgrepen tijdens het uitvoeren van een bewerking waarbij het snijtoebehoren in aanraking kan komen met verborgen bedrading of het eigen snoer. Als het snijtoebehoren een onder stroom staande draad aanraakt, zorgt dit er voor dat niet-geïsoleerde delen van het gereedschap ook onder stroom komen, waardoor de gebruiker een elektrische schok kan krijgen.

VOOR HET GEBRUIK

1. **Netspanning**
 Controleren of de te gebruiken stroomvoorziening overeenkomt met de opgave betreffende de stroomvoorziening op het naamplaatje van het product.
2. **Netschakelaar**
 Controleren of de netschakelaar op "UIT" staat. Wanneer de stekker op het net aangesloten is, terwijl de schakelaar op "AAN" staat, begint het gereedschap onmiddellijk te draaien, hetwelk ernstig gevaar betekent.
3. **Verlengsnoer**
 Wanneer het werkteerrein niet in de buurt van een stopcontact ligt, dan moet men gebruik maken van een verlengsnoer, dat voldoende dwarsprofiel en voldoende nominaal vermogen heeft. Het verlengsnoer moet zo kort mogelijk gehouden worden.

HET AANBRENGEN VAN HET ZAAGBLAD

1. Met de inbussleutel worden de klemmschroeven van het zaagblad op de bladhouder losgedraaid, zoals afgebeeld in **Afb. 1(a)**.

2. Het zaagblad wordt met de snijkant naar voren in de gleuf van de stoter geschoven tot het de bodem van de groef raakt.
3. Volgens **Afb. 1(b)** wordt de klemschroef aan de zijkant vastgedraaid.

VOORZICHTIG

- Losse klemschroeven kunnen tot beschadiging van het zaagblad leiden. Er moet steeds op gelet worden, dat de klemschroeven vast aangedraaid zijn. Er moet steeds op gelet worden, dat de gleuf van het stoterspoor schoon en zonder zaagsel is om een juiste bevestiging van het zaagblad en een juist vastklemmen van de klemschroeven te garanderen.
4. De inbussleutel opbergen
 - (1) Steek de inbussleutel in het gat aan de zijkant van de zaag waarbij de korte kant horizontaal wordt gezet zoals afgebeeld in **Afb. 2**.
 - (2) De inbussleutel zoals afgebeeld in **Afb. 2** draaien en vastzetten.

HET INSTALLEREN VAN DE GELEIDEROLLEN

De geleiderol wordt, zoals getoond in **Afb. 3**, gebruikt om losspringen van het zaagblad te verhinderen. Voor gebruik wordt de geleiderol als volgt ingesteld:

- (1) De klemschroef van de houder wordt met de inbussleutel losgedraaid.
- (2) Schuif de geleiderol voorzichtig totdat de groef van de rol de rugkant van het zaagblad raakt.

AAANTEKENING

Bij het aflaten van het werkstuk verkrijgt men een tussenruimte van ca. 3mm tussen de rol en het zaagblad.

- (3) De klemschroef van de houder wordt vastgedraaid.

VOORZICHTIG

- De geleiderol kan alleen gebruikt worden voor zaagbladen die aan de achterzijde een recht stuk van meer dan 50mm hebben. (**Afb. 4A en 4B**)
Als u een ander type zaagblad gebruikt (**Afb. 4C**), schuif de geleiderol dan naar achteren zodat deze niet in contact komt met het zaagblad.
- Voor het zagen van dik hout of langdurig onafgebroken werken dient u gebruik te maken van het zaagblad getoond in **Afb. 4A, 4B**, waarbij u vooral niet mag vergeten de geleiderol in te stellen.

STAND VAN DE SPAANKAST

1. Spaankast

De spaankast dient om het rondvliegen van zaagsel en houtsplinters te beperken en om het bedieningsgemak te verhogen.

Schuif de spaankast in de juiste positie terwijl u een lichte druk op de voorzijde ervan uitoefent.

De spaankast kan in drie verschillende standen worden gezet. (Zie **Afb. 5**.)

2. Kiezen van de juiste stand voor de spaankast

Zet de spaankast in de eerste positie als u het zaagblad wilt monteren of demontieren.

Zet de spaankast in de tweede positie voor het zagen van hout.

Zet de spaankast in de tweede of derde positie voor het zagen van hardere materialen, zoals staal.

VOORZICHTIG

- Houd de spaankast altijd in de onderste stand wanneer u het gereedschap gebruikt.
- Draag altijd een veiligheidsbril, ook als u de spaankast gebruikt.

HET INSTELLEN VAN DE SNELHEID VAN HET ZAAGBLAD (alleen FCJ65V3)

AAANTEKENING

Bij de FCJ65S3 is de snelheid van het zaagblad niet instelbaar.

De werksnelheid kan afgesteld worden tussen 0 en 3000 min⁻¹, afhankelijk van de op de drukschakelaar uitgeoefende druk. Kies de voor het werkstuk meest geschikte snelheid. De voor het materiaal van het werkstuk en/of arbeidsvoorwaarden geschikte snelheid wordt gekozen.

Voor continu-bedrijf wordt de drukschakelaar geheel teruggetrokken en de vergrendelknop ingedrukt. Dan wordt de knop voor de snelheidsregeling voor het instellen van de gewenste snelheid van het zaagblad ingesteld.

AAANTEKENING

De instelknop voor de snelheid heeft ongeveer 1,5 omwentelingen. Voor het uitschakelen bedient men opnieuw de drukschakelaar, zodat de vergrendelknop vrijgegeven wordt, vervolgens laat men de drukschakelaar los.

ZAGEN

VOORZICHTIG

- Tijdens het zagen moet de zaagtafel vlak op de oppervlakte van het werkstuk liggen en het zaagblad haaks gehouden worden. Wanneer de zaagtafel het materiaal niet aanraakt, kan dat tot een breuk van het zaagblad leiden.
- Als u bij het zagen de voorkant vasthoudt dient u goed op te letten voor het bewegende zaagblad en het bovengedeelte stevig vast te houden.

1. Zagen met een parallelgeleider

(1) Gebruik voor precies, rechtlijnig zagen, de parallelgeleider (los verkrijgbaar) zoals te zien is in **Afb. 6**.

(2) Het anti-splinterstuk vermindert de ruwheid van het hout dat wordt gezaagd. Bevestig het anti-splinterstuk door het vanaf de voorzijde van de zaagtafel in positie te schuiven totdat het vastklikt. (**Afb. 7**)

VOORZICHTIG

Als u het anti-splinterstuk gebruikt, zet de zaagtafel dan in de voorste positie.

2. Het zagen van cirkels of een cirkelboog

Maak gebruik van de cirkelgeleider (los verkrijgbaar) en de spijker of houtschroef getoond in **Afb. 8**.

Voor het aanbrengen van de geleider wordt de schroef aan de onderkant van de zaagtafel losgedraaid en de zaagtafel zover mogelijk naar voren geschoven.

3. Het zagen van kromme lijnen

Bij het zagen van een kleine cirkelboog wordt de snelheid, waarmee de machine naar voren schuift, vermindert. Wanneer de machine te snel naar voren geschoven wordt, zou dat tot een breuk van het zaagblad kunnen leiden.

4. Het zagen van metaal

Steeds gebruik maken van een geschikt smeermiddel (dunvloeibare smeerolie, zeepoplossing, etc.). Heeft men geen vloeibaar smeermiddel ter beschikking, dan smeert men vet op de rugkant van het te zagen materiaal.

5. Het zagen van gaten**(1) In bestekhout**

De zaagrichting in één lijn brengen met de richting van de houtvezel. Men zaagt stap voor stap, tot er in het midden van het hout een venster ontstaan is. (Afb. 9)

(2) In overige materialen

Bij het zagen van een venster in ander materiaal dan hout boort men eerst met een boormachine of soortgelijk gereedschap een gat voor, van waaruit men begint te zagen.

6. Verstekzagen

Zet de spaankast in de eerste positie. (Afb. 5)

Voor het instellen van de hellingshoek wordt de bodemschroef van de zaagtafel losgedraaid, de stand van de zaagtafel aan de gleuf aan de zijkant van de halfcirkelvormige geleider geschoven en de kant van de geleiderol op de gewenste schaalwaarde ingesteld (de op de schaal ingegraveerde getallen geven de hellingshoek aan), met de behuizingshoeklijn, en vervolgens wordt de bodemschroef van de zaagtafel vastgedraaid. (Afb. 10 en 11)

VOORZICHTIG

Plaats de schroef aan de zijde tegenover de schuine kant als u de geleider gebruikt. (Afb. 12)

7. Vrijgekomen stof tijdens het zagen**VOORZICHTIG**

- Om ongevallen te voorkomen dient u de schakelaar uit te zetten en de stekker uit het stopcontact te halen wanneer de zaag niet gebruikt wordt.
- Zie de handleiding voor de stofverzamelaar voor meer informatie omtrent het gebruik.

De stof die tijdens het zagen vrijkomt kan de gezondheid van de gebruiker benadelen. Wij adviseren dat u de volgende voorzorgsmaatregelen neemt:

a) Draag een stofmasker

b) Gebruik een externe stofverzamelaar

Wanneer u een externe stofverzamelaar gebruikt, dan moet de rubber adapter (meegeleverde accessoire bij de externe stofverzamelaar) op het eind van de slang van de stofverzamelaar worden aangesloten. Sluit vervolgens het andere einde van de rubberadapter aan op het slangbevestigingsgedeelte aan de achterzijde van de decoupeerzaag. (Zie Afb. 13)

KEUZE VAN DE ZAAGBLADEN**1. Standaard toebehoren**

Om een maximaal prestatievermogen en goede resultaten te bereiken is het erg belangrijk het zaagblad te kiezen dat het best geschikt is voor de soort en dikte van het te zagen materiaal. Een zaagblad wordt standaard meegeleverd. Het nummer van het zaagblad is in de buurt van de houder van elk zaagblad ingegraveerd. Het geschikte zaagblad wordt aan de hand van **Tabel 1** gekozen.

Tabel 1 Lijst van geschikte zaagbladen

Te zagen materiaal	Materiaalkwaliteit	Blad nr.
Timmerhout	Algemeen bestekhout	nr.1 of nr.31 (dikke plaat) of nr.41 (dikke plaat) of nr.2 (dunne plaat)
	Fineerplaten	nr.3 of nr.6
Stalen platen	Vloeistalen platen	nr.6
Non-ferro metalen	Aluminium, koper, messing	nr.6
Kunststoffen	Phenolhars, melaminehars, etc.	nr.4 (dikke plaat) of nr.6 (dunne plaat)
	Vinylchloride, acrylhars, etc.	nr.2 of nr.4 (dikke plaat) of nr.6 (dunne plaat)
	Geschuimd styrol, etc.	nr.2
Houtvezelmateriaal	Karton, golfkarton	nr.2
	Hardboard	nr.5 of nr.6
	Vezelplaat	nr.6
Overig materiaal	Eboniet	nr.2
	Steen	nr.5

2. Te gebruiken zaagbladen (Afb. 14)

Deze machine is voor de meeste zaagbladen, die op de markt verkrijgbaar zijn, geschikt. Zoals afgebeeld in **Afb. 14**, hebben de zaagbladen wat de afmeting betreft de volgende begrenzingen:

- Dikte : L2 Minder dan 1,6mm

- Breedte: L3 6,3mm

L4 8mm

L5 7mm

AANTEKENING

Als u dik materiaal zaagt, gebruik dan altijd originele HITACHI zaagbladen met een inklinatie zoals in **Afb. 4A** of **B** wordt getoond.

ONDERHOUD EN INSPECTIE

1. Inspectie van de zaagbladen

Het verder gebruiken van stompe of beschadigde zaagbladen leidt tot een verminderde zaagmoet worden prestatie en kan een overbelasting van de motor veroorzaken. Het zaagblad vernieuwd, wanneer een bovenmatige slijtage vastgesteld wordt.

2. Inspectie van de bevestigingsschroef

Alle bevestigingsschroeven worden regelmatig geïnspecteerd en gecontroleerd of zij juist aangedraaid zijn. Wanneer één van de schroeven losraakt, dan moet deze onmiddellijk opnieuw aangedraaid worden. Gebeurt dat niet, dan kan dat tot aanzienlijke gevaren leiden.

3. Onderhoud van de motor

De motorwikkeling is het "hart" van het elektrische gereedschap. Er moet daarom bijzonder zorgvuldig op gelet worden, dat de wikkeling niet beschadigt en/of met olie of water bevochtigd wordt.

4. Vervangen van het stroomsnoer

Als het stroomsnoer van het gereedschap beschadigd raakt, moet het gereedschap aan een erkend Hitachi Service-centrum worden geretourneerd om het stroomsnoer te laten vervangen.

5. Service

Bij van het gereedschap een bevoegde dealer raadplegen.

6. Lijst vervangingsonderdelen

- A: Ond.nr.
- B: Codenr.
- C: Gebr.nr.
- D: Opm.

LET OP

Reparatie, modificatie en inspectie van Hitachi elektrisch gereedschap dient te worden uitgevoerd door een erkend Hitachi Service-centrum.

Deze Onderdelenlijst komt van pas wanneer u deze samen met het gereedschap aanbiedt bij het erkende Hitachi Service-centrum wanneer u om reparatie of ander onderhoud verzoekt.

Bij gebruik en onderhoud van elektrisch gereedschap dienen de in het land waar u zich bevindt geldende veiligheidsregelgeving en veiligheidsstandaarden strikt te worden opgevolgd.

MODIFICATIES

Hitachi elektrisch gereedschap wordt voortdurend verbeterd en gewijzigd teneinde gebruik te kunnen maken van de nieuwste technische ontwikkelingen. Daarom is mogelijk dat sommige onderdelen (zoals codenummers en/of ontwerp) zonder voorafgaande kennisgeving gewijzigd worden.

GARANTIE

De garantie op het elektrisch gereedschap van Hitachi is in overeenstemming met de wettelijke/landspecifieke richtlijnen. Deze garantie dekt geen defecten of schade als gevolg van foutief gebruik, misbruik of normale slijtage. In geval van klachten verzoeken wij u het elektrisch gereedschap samen met het GARANTIECERTIFICAAT dat u achterin deze handleiding aantreft naar een erkend servicecentrum van Hitachi te sturen. Indien door de gebruiker de machine wordt gedemonteerd vervalt de aanspraak op garantie.

AANTEKENING

Op grond van het voortdurende research-en ontwikkelingsprogramma van HITACHI zijn veranderingen van de hierin genoemde technische opgaven voorbehouden.

Informatie betreffende luchtgeluid en trillingen

De gemeten waarden zijn verkregen overeenkomstig EN60745 en voldoen aan de eisen van ISO 4871.

Het doorsnee A-gewogen geluiddrukknivo: 84 dB (A)

Het standaard A-gewogen geluiddrukknivo: 95 dB (A)

Onzekerheid KpA: 3 dB (A)

Draag gehoorbescherming.

Totale trillingswaarden (triax vector som) bepaald overeenkomstig EN60745.

Hout zagen:

Trillingsemisiewaarde **ah, CW** = 18,3 m/s²

Onzekerheid K = 2,1 m/s²

Bladmetsel zagen:

Trillingsemisiewaarde **ah, CM** = 17,2 m/s²

Onzekerheid K = 4,3 m/s²

De totale bepaalde trillingswaarde is gemeten in overeenstemming met een standaardtestmethode en is bruikbaar om meerdere gereedschappen met elkaar te vergelijken.

U kunt dit ook als beoordeling vooraf aan de blootstelling gebruiken.

WAARSCHUWING

- De trillingsemisiewaarde tijdens het feitelijke gebruik van het elektrisch gereedschap kan afwijken van de opgegeven totale waarde afhankelijk van de manieren waarop het gereedschap wordt gebruikt.
- Neem kennis van de veiligheidsmaatregelen voor de bescherming van de gebruiker die gebaseerd zijn op een schatting van blootstelling onder feitelijke gebruiksomstandigheden (rekening houdend met alle onderdelen van de gebruikscyclus, zoals de tijd dat het gereedschap is uitgeschakeld en wanneer dit onbelast draait inclusief de triggertijd).

ADVERTENCIAS DE SEGURIDAD GENERAL DE LA HERRAMIENTA ELÉCTRICA

⚠ ADVERTENCIA

Lea todas las instrucciones y advertencias de seguridad. Si no se siguen las advertencias e instrucciones, podría producirse una descarga eléctrica, un incendio y/o daños graves.

Guarde todas las advertencias e instrucciones para futura referencia.

El término "herramienta eléctrica" en las advertencias hace referencia a la herramienta eléctrica que funciona con la red de suministro (con cable) o a la herramienta eléctrica que funciona con pilas (sin cable).

1) Seguridad del área de trabajo

- a) **Mantenga la zona de trabajo limpia y bien iluminada.**
Las zonas desordenadas u oscuras pueden provocar accidentes.
- b) **No utilice las herramientas eléctricas en entornos explosivos como, por ejemplo, en presencia de líquidos inflamables, gases o polvo.**
Las herramientas eléctricas crean chispas que pueden inflamar el polvo o los humos.
- c) **Mantenga a los niños y transeúntes alejados cuando utilice una herramienta eléctrica.**
Las distracciones pueden hacer que pierda el control.

2) Seguridad eléctrica

- a) **Los enchufes de las herramientas eléctricas tienen que ser adecuados a la toma de corriente.**
No modifique el enchufe.
No utilice enchufes adaptadores con herramientas eléctricas conectadas a tierra.
Si no se modifican los enchufes y se utilizan tomas de corriente adecuadas se reducirá el riesgo de descarga eléctrica.
- b) **Evite el contacto corporal con superficies conectadas a tierra como tuberías, radiadores y frigoríficos.**
Hay mayor riesgo de descarga eléctrica si su cuerpo está en contacto con el suelo.
- c) **No exponga las herramientas eléctricas a la lluvia o a la humedad.**
La entrada de agua en una herramienta eléctrica aumentará el riesgo de descarga eléctrica.
- d) **No utilice el cable incorrectamente. No utilice el cable para transportar, tirar de la herramienta eléctrica o desenchufarla.**
Mantenga el cable alejado del calor, del aceite, de bordes afilados o piezas móviles.
Los cables dañados o enredados aumentan el riesgo de descarga eléctrica.
- e) **Cuando utilice una herramienta eléctrica al aire libre, utilice un cable prolongador adecuado para utilizarse al aire libre.**
La utilización de un cable adecuado para usarse al aire libre reduce el riesgo de descarga eléctrica.
- f) **Si no se puede evitar el uso de una herramienta eléctrica en un lugar húmedo, utilice un suministro protegido mediante un dispositivo de corriente residual (RCD).**
El uso de un RCD reduce el riesgo de descarga eléctrica.

3) Seguridad personal

- a) **Esté atento, preste atención a lo que hace y utilice el sentido común cuando utilice una herramienta eléctrica.**
No utilice una herramienta eléctrica cuando esté cansado o esté bajo la influencia de drogas, alcohol o medicación.

La distracción momentánea cuando utiliza herramientas eléctricas puede dar lugar a importantes daños personales.

- b) **Utilice un equipo de protección. Utilice siempre una protección ocular.**

El equipo de protección como máscara para el polvo, zapatos de seguridad antiderrapantes, casco o protección para oídos utilizado para condiciones adecuadas reducirá los daños personales.

- c) **Evite un inicio involuntario. Asegúrese de que el interruptor está en "off" antes de conectar la herramienta a una fuente de alimentación y/o batería, cogerla o transportarla.**

El transporte de herramientas eléctricas con el dedo en el interruptor o el encendido de herramientas eléctricas con el interruptor encendido puede provocar accidentes.

- d) **Retire las llaves de ajuste antes de encender la herramienta eléctrica.**

Si se deja una llave en una pieza giratoria de la herramienta eléctrica podrían producirse daños personales.

- e) **No se extralimite. Mantenga un equilibrio adecuado en todo momento.**

Esto permite un mayor control de la herramienta eléctrica en situaciones inesperadas.

- f) **Vístase adecuadamente. No lleve prendas sueltas o joyas. Mantenga el pelo, la ropa y los guantes alejados de las piezas móviles.**

La ropa suelta, las joyas y el pelo largo pueden pillarse en las piezas móviles.

- g) **Si se proporcionan dispositivos para la conexión de extracción de polvo e instalaciones de recogida, asegúrese de que están conectados y se utilizan adecuadamente.**

La utilización de un sistema de recogida de polvo puede reducir los riesgos relacionados con el polvo.

4) Utilización y mantenimiento de las herramientas eléctricas

- a) **No fuerce la herramienta eléctrica. Utilice la herramienta eléctrica correcta para su aplicación.**

La herramienta eléctrica correcta trabajará mejor y de forma más segura si se utiliza a la velocidad para la que fue diseñada.

- b) **No utilice la herramienta eléctrica si el interruptor no la enciende y apaga.**

Las herramientas eléctricas que no pueden controlarse con el interruptor son peligrosas y deben repararse.

- c) **Desconecte el enchufe de la fuente eléctrica y/o la batería de la herramienta eléctrica antes de hacer ajustes, cambiar accesorios o almacenar herramientas eléctricas.**

Estas medidas de seguridad preventivas reducen el riesgo de que la herramienta eléctrica se ponga en marcha accidentalmente.

- d) **Guarde las herramientas eléctricas que no se utilicen para que no las cojan los niños y no permita que utilicen las herramientas eléctricas personas no familiarizadas con las mismas o con estas instrucciones.**

Las herramientas eléctricas son peligrosas si son utilizadas por usuarios sin formación.

- e) **Mantenimiento de las herramientas eléctricas. Compruebe si las piezas móviles están mal alineadas o unidas, si hay alguna pieza rota u otra condición que pudiera afectar al funcionamiento de las herramientas eléctricas.**

Si la herramienta eléctrica está dañada, llévela a reparar antes de utilizarla.

Se producen muchos accidentes por no realizar un mantenimiento correcto de las herramientas eléctricas.

- f) **Mantenga las herramientas de corte afiladas y limpias.** Las herramientas de corte correctamente mantenidas con los bordes de corte afilados son más fáciles de controlar.
- g) **Utilice la herramienta eléctrica, los accesorios y las brocas de la herramienta, etc. de acuerdo con estas instrucciones, teniendo en cuenta las condiciones laborales y el trabajo que se va a realizar.**

La utilización de la herramienta eléctrica para operaciones diferentes a aquellas pretendidas podría dar lugar a una situación peligrosa.

5) Revisión

- a) **Lleve su herramienta a que la revise un experto cualificado que utilice sólo piezas de repuesto idénticas.** Esto garantizará el mantenimiento de la seguridad de la herramienta eléctrica.

ESPECIFICACIONES

Modelo	FCJ65V3	FCJ65S3
Voltaje (por áreas)*	(110V, 115V, 120V, 127V, 220V, 230V, 240V) ~	
Acometida	400W*	
Profundidad de corte	Madera: 65mm Acero pobre en carbono: 6mm	
Velocidad	0 – 3000 min ⁻¹	3000 min ⁻¹
Carrera	18mm	
Radio mín. de corte	25mm	
Peso (sin cable)	1,5kg	

* Verificar indefectiblemente los datos de la placa de características de la máquina, pues varían de acuerdo al país de destino.

ACCESORIOS ESTANDAR

- (1) Cuchilla No.31 1
Para cortar madera gruesa
 - (2) Protector contra astillas 1
 - (3) Cubierta de virutas 1
 - (4) Llave macho hexagonal 1
- Los accesorios estándar están sujetos a cambio sin previo aviso.

ACCESORIOS OPCIONALES (venta por separado)

- (1) Cuchillas No.1 – No.6, No.31*
* La cuchilla No.31 es un accesorio estándar.
- (2) Guía
Los accesorios opcionales están sujetos a cambios sin previo aviso.

APLICACIONES

- Corte de diversas maderas útiles y recortes interiores
- Corte de planchas de metal blando, aluminio y cobre
- Corte de resinas sintéticas, tales como resina fenólica, y cloruro de vinilo
- Corte de materiales de construcción delgados y blandos

PRECAUCIÓN

Mantenga a los niños y a las personas enfermas alejadas. Cuando no se utilicen, las herramientas deben almacenarse fuera del alcance de los niños y de las personas enfermas.

RECAUCIONES EN EL EMPLEO DE LA SIERRA DE CALAR

Sostenga la herramienta eléctrica por las superficies de agarre aisladas cuando realice una operación en la que el accesorio de corte pueda entrar en contacto con el cableado oculto o con su propio cable. Si el accesorio de corte entra en contacto con un cable con corriente, las partes metálicas expuestas de la herramienta eléctrica pueden transmitir esa corriente y producir una descarga eléctrica al operador.

ANTES DE LA PUESTA EN MARCHA

1. Alimentación

Asegurarse de que la alimentación de red que ha de ser utilizada y responda las exigencias de corriente especificadas en la placa de características del producto.

2. Interruptor de alimentación

Asegurarse de que el interruptor de alimentación esté en la posición OFF (desconectado). Si el enchufe está conectado en el receptáculo mientras el interruptor de alimentación esté en posición ON (conectado) las herramientas eléctricas empezarán a funcionar inesperadamente, provocando un serio accidente.

3. Cable de prolongación

Cuando el área de trabajo está alejada de la red de acometida, usar un cable de prolongación suficiente grueso y potente. El cable de prolongación debe ser mantenido lo más corto posible.

MONTAR LA CUCHILLA

- 1. Usar la llave macho hexagonal accesorio para soltar los tornillos de ajuste de la cuchilla en el portacuchillas, como muestra la **Fig. 1(a)**.

2. Mantener la cuchilla con su filo mirando adelante, insertar la parte de la cuchilla a montar dentro del orificio del émbolo vástago hasta que toque el fondo del orificio.
3. Como muestra en la **Fig. 1(b)** tensar firmemente el tornillo de ajuste lateral.

PRECAUCION

- Los tornillos de ajuste flojos pueden ocasionar que la cuchilla sea dañada. Asegurarse siempre de que los tornillos de ajuste estén firmemente asegurados. Asegurarse siempre de que el orificio del émbolo vástago esté limpio y libre de aserraduras para asegurar un buen montaje de la cuchilla y una buena tensión del tornillo de ajuste.
4. Almacenaje de la llave macho hexagonal
 - (1) Introducir en un orificio del lateral de la unidad principal sujetando el lateral corto en horizontal, tal y como se muestra en el **Fig. 2**.
 - (2) Girar con la llave macho hexagonal introducida y fijar, tal y como se muestra en la **Fig. 2**.

AJUSTE DEL RODILLO DE GUIA

El rodillo de guía, como muestra la **Fig. 3**, está empleada para evitar que la cuchilla se quiebre. Antes del uso, ajustar el rodillo de guía de acuerdo con los procedimientos siguientes:

- (1) Soltar el perno de ajuste del sujetador con la llave macho hexagonal accesoria.
- (2) Empujar ligeramente el rodillo guía hasta que la ranura del rodillo toque suavemente la parte trasera de la cuchilla.

OBSERVACION

Al ser suministrado de la fábrica hay una ranura de 3mm entre el rodillo y la cuchilla.

- (3) Apretar firmemente el perno de ajuste del sujetador.

PRECAUCION

- El rodillo guía podrá emplearse solamente con las cuchillas que posean una línea recta en su parte superior con una longitud superior a 50mm. (**Fig. 4A** y **4B**) Cuando emplee otros tipos de cuchillas (**Fig. 4C**), deslice el rodillo guía hacia atrás de forma que no quede en contacto con la cuchilla.
- Para cortar tableros gruesos o realizar operaciones de corte continuo, emplee la cuchilla como muestra en la **Fig. 4A, 4B**, y cerciórese de instalar el rodillo de guía.

COLOCACION DE LA CUBIERTA DE VIRUTAS

1. Cubierta de virutas

Emplee la cubierta de virutas para reducir las salpicaduras de partículas y para emplear fácilmente la sierra.

Deslice la cubierta de virutas manteniendo ligeramente presionada su sección frontal.

La cubierta de virutas puede colocarse en tres posiciones como se muestra en la **Fig. 5**.

2. **Forma de elegir la posición de la cubierta de virutas**
Ponga la cubierta de virutas en el primer paso cuando monte o desmonte la cuchilla.
Coloque la cubierta de virutas en el segundo paso cuando corte materiales de madera.

Coloque la cubierta de virutas en el segundo o tercer paso cuando corte materiales metálicos tales como acero.

PRECAUCION

- Durante la operación de la herramienta, mantenga siempre la cubierta de virutas en la posición baja.
- Aunque emplee la cubierta de virutas, colóquese gafas de protección.

AJUSTE DE LA VELOCIDAD DE OPERACION DE CUCHILLA (sólo FCJ65V3)

OBSERVACION

La velocidad de operación de la cuchilla no podrá ajustarse en el modelo FCJ65S3.

La velocidad de funcionamiento de la cuchilla puede ajustarse entre 0 y 3000 min⁻¹ de acuerdo al grado con que se aprieta el interruptor del gatillo. Seleccionar la velocidad apropiada al material de la pieza de trabajo y/o condiciones de trabajo.

Para realizar una operación continua, apretar el pulsador totalmente hacia abajo y apretar hacia abajo el dispositivo de ajuste. Entonces girar el botón de ajuste de velocidad para graduar la velocidad operativa de la cuchilla como sea deseada.

OBSERVACION

El botón de ajuste de velocidad se deja girar aproximadamente 1,5 vueltas. Para girar el conmutador en OFF (desconectado) volver a apretar el pulsador de nuevo para desacoplar el dispositivo de ajuste y soltar el pulsador.

CORTE

PRECAUCION

- Durante el serrado, la base tiene que entrar firmemente en contacto con la superficie de la pieza de trabajo y la cuchilla tiene que ser mantenida al ángulo correcto. Si se separa de la base del material, la cuchilla podría rotar.
- Para cortar sosteniendo la superficie frontal, tener cuidado con la hoja de la sierra móvil y sostener firmemente la parte superior.

1. Corte rectilíneo

- (1) Para asegurar un corte exacto rectilíneo emplear la guía accesorio opcional como se muestra en la **Fig. 6**.
- (2) Emplee el protector contra astillas para reducir la rugosidad de la superficie de corte de los materiales de madera. Instalar el protector contra astillas insertándolo desde la sección frontal de la base hasta que encaje en su lugar. (**Fig. 7**)

PRECAUCION

Cloque la base en la posición frontal cuando emplee el protector contra astillas.

2. Corte de una pieza circular o un arco circular

Para asegurar un corte eficaz, emplear la guía como accesorio opcional y clavos o tornillos de madera como se muestra en la **Fig. 8**.

Al montar la guía, soltar el tornillo del fondo de la base y trasladar la base hacia adelante tanto como sea posible.

3. Serrado del líneas curvas

Al serrar un arco circular pequeño, reducir la velocidad de alimentación de la máquina. Si la máquina está demasiado alimentada rápidamente puede ocasionar rotura en la cuchilla.

4. Corte de materiales metálicos

Usar siempre un medio de corte apropiado (aceite para uso, agua jabonosa, etc.). Si no está disponible un medio de corte líquido aplicar grasa a la superficie trasera del material a cortar.

5. Recort interior

(1) En madera

Alinear la dirección de la cuchilla con la fibra de madera y cortar poco a poco hasta haber cortado un orificio de ventana en el centro de la madera útil. (Fig. 9)

(2) En otros materiales

Cortando un orificio de ventana en materiales distintos de la madera útil, taladrar inicialmente un orificio poco a poco hasta haber cortado un orificio de ventana en el centro de la madera útil.

6. Corte angular

Ponga la cubierta de virutas en el primer paso. (Fig. 5) Para ajustar el ángulo de inclinación, soltar el tornillo del fondo de la base, trasladar la posición de la base a la ranura lateral de la parte semicircular, alinear la escala en la parte semicircular de la base (la figuras gravadas en la escala indican el ángulo de inclinación) con el borde de la caja, y apretar firmemente el tornillo del fondo de la base. (Fig. 10 y 11)

PRECAUCION

Ponga el tornillo en el lado opuesto de la parte de inclinación empleando la guía. (Fig. 12)

7. Polvo producido durante la operación

PRECAUCION

- Para evitar accidentes, apague y retire el enchufe de la toma de corriente cuando no esté utilizando el aparato.
- Para instrucciones sobre cómo utilizar el recogedor de polvo y los desechos de corte aplicables, lea el manual de instrucciones del recogedor de polvo.

El polvo producido durante la operación normal puede afectar a la salud del operario. Se recomienda lo siguiente:

a) Llevar máscara anti-polvo

b) Utilizar equipo de recogida de polvo externo

Quando utilice el equipo de recogida de polvo externo, conecte el adaptador de goma (accesorio del equipo de recogida de polvo externo) al extremo del manguito del equipo de recogida de polvo externo. A continuación, conecte el otro extremo del adaptador de goma a la parte de conexión del manguito posterior de la sierra caladora. (Véase Fig. 13)

SELECCION DE LAS CUCHILLAS

1. Cuchillas accesorias

Para asegurar una eficiencia operativa máxima y óptimos resultados, es muy importante seleccionar la cuchilla mejor apropiada para el tipo y grosor del material a cortar. Un tipo de cuchilla está provisto como accesorio estándar. El número de cuchilla está grabado cerca de la parte a montar de cada cuchilla. Seleccionar la cuchilla apropiada según la **Tabla 1**.

Tabla 1 Lista de cuchillas apropiadas

Material a cortar	Calidad de material	Cuchilla No.
Madera util	Madera útil general	No.1 o No.31 (chapa gruesa) o No.41 (chapa gruesa) o No.2 (chapa delgada)
	Madera contrachapada	No.3 o No.6
Placa de hierro	Placa de acero pobre en carbono	No.6
Metal no férrico	Aluminio, cobre, latón	No.6
Resina sintética	Resina de fenol, resina de melamina, etc.	No.4 (chapa gruesa) o No.6 (chapa delgada)
	Clorulo de vinilo, resina acrílica, etc.	No.2 o No.4 (chapa gruesa) o No.6 (chapa delgada)
	Estirol espumoso, etc.	No.2
Pasta de papel	Cartón, cartón ondulado	No.2
	Fibra prensada dura	No.5 o No.6
	Fibra prensada	No.6
Otros	Goma dura	No.2
	Pizarra	No.5

2. Cuchillas comerciables que son aceptables (Fig.14)

La máquina es capaz de aceptar la mayor parte de las cuchillas que se encuentran en los comercios. Como se ilustra en la Fig.14, las restricciones respecto a la dimensión de la cuchilla son las siguientes:

- Grosor : L2 Menos de 1,6mm
- Anchura: L3 6,3mm
- L4 8mm
- L5 7mm

OBSERVACION

Para cortar materiales gruesos, emplee cuchillas genuinas de marca HITACHI y que posean la inclinación mostrada en Fig. 4-A o B.

MANTENIMIENTO E INSPECCION

1. Inspección de la cuchilla

El uso continuo de una cuchilla dañada resultaría una deficiencia de corte reducido y podría causar un posible recalentamiento del motor. Reemplazar la cuchilla tan pronto como se note un desgaste excesivo por una nueva.

2. Inspeccionar los tornillos de montaje

Regularmente inspeccionar todos los tornillos de montaje y asegurarse de que estén apretados firmemente. Si cualquier tornillo estuviese suelto, volver a apretarlo inmediatamente. El no hacer esto provocaría un riesgo serio.

3. Mantenimiento del motor

La unidad de bobinado del motor es el verdadero "corazón" de las herramientas eléctricas. Prestar el mayor cuidado y asegurarse de que el bobinado no se dañe y/o se humedezca con aceite o agua.

4. Reemplazo del cable de alimentación

Si el cable de alimentación de la herramienta está dañado, envíe la herramienta al Centro de Servicio Autorizado de Hitachi para que le cambien el cable de alimentación.

5. Servicio

Consultar a un representante de Servicio Autorizado en el caso de un fallo de las herramientas eléctrica.

6. Lista de repuestos

- A: N°. ítem
- B: N°. código
- C: N°. usado
- D: Observaciones

PRECAUCIÓN

La reparación, modificación e inspección de las herramientas eléctricas Hitachi deben ser realizadas por un Centro de Servicio Autorizado de Hitachi.

Esta lista de repuestos será de utilidad si es presentada junto con la herramienta al Centro de Servicio Autorizado de Hitachi, para solicitar la reparación o cualquier otro tipo de mantenimiento.

En el manejo y el mantenimiento de las herramientas eléctricas, se deberán observar las normas y reglamentos vigentes en cada país.

MODIFICACIONES

Hitachi Power Tools introduce constantemente mejoras y modificaciones para incorporar los últimos avances tecnológicos.

Por consiguiente, algunas partes (por ejemplo, números de códigos y/o diseño) pueden ser modificadas sin previo aviso.

GARANTÍA

Las herramientas motorizadas de Hitachi incluye una garantía conforme al reglamento específico legal/nacional. Esta garantía no cubre los defectos o daños debidos al uso incorrecto, el abuso o el desgaste normal. En caso de reclamación, envíe la herramienta motorizada, sin desmontar y con el CERTIFICADO DE GARANTÍA que aparece al final de estas instrucciones de uso, al Centro de Servicio Autorizado de Hitachi.

OBSERVACION

Debido al programa continuo de investigación y desarrollo de HITACHI estas especificaciones están sujetas a cambio sin previo aviso.

Información sobre el ruido propagado por el aire y vibración

Los valores medidos se determinaron de acuerdo con EN60745 declararon de conformidad con ISO 4871.

Het doorsnee A-gewogen geluiddruknivo: 84 dB (A)

Het standaard A-gewogen geluiddruknivo: 95 dB (A)

Duda KpA: 3 dB (A)

Utilice protecciones auriculares.

Valores totales de la vibración (suma de vectores triax.) determinados de acuerdo con EN60745.

Cortar Madera:

Valor de emisión de la vibración **a_h, CW** = 18,3 m/s²

Incertidumbre K = 2,1 m/s²

Cortar placa metálica:

Valor de emisión de la vibración **a_h, CM** = 17,2 m/s²

Incertidumbre K = 4,3 m/s²

El valor total de vibración declarado ha sido medido de acuerdo con un método de prueba estándar y permite comparar unas herramientas con otras.

También resulta útil para llevar a cabo evaluaciones preliminares de exposición.

ADVERTENCIA

- La emisión de vibración durante la utilización de la herramienta eléctrica puede ser diferente del valor total declarado dependiendo de las formas de utilización de la herramienta.
- Identifique las medidas seguras para proteger al operario basadas en una estimación de exposición en las condiciones reales de uso (teniendo en cuenta todas las partes del ciclo de funcionamiento como tiempos cuando la herramienta está apagada y cuando funciona lentamente además del tiempo de activación).

AVISOS GERAIS DE SEGURANÇA PARA A FERRAMENTA ELÉCTRICA

⚠ AVISO

Leia todas as instruções e avisos de segurança.

Se não seguir todas as instruções e os avisos, pode provocar um choque eléctrico, incêndio e/ou ferimentos graves.

Guarde todos os avisos e instruções para referência futura. O termo "ferramenta eléctrica" em todos os avisos refere-se à sua ferramenta ligada à corrente (com fios) ou à ferramenta eléctrica a baterias (sem fios).

1) Segurança da área de trabalho

- Mantenha a área de trabalho limpa e bem iluminada. As áreas escuras ou cheias de material são propícias aos acidentes.
- Não trabalhe com ferramentas eléctricas em ambientes explosivos, tais como na presença de líquidos inflamáveis, gases ou pó. As ferramentas eléctricas criam faíscas que podem inflamar o pó dos fumos.
- Mantenha as crianças e outras pessoas afastadas quando trabalhar com uma ferramenta eléctrica. As distrações podem fazer com que perca controlo.

2) Segurança eléctrica

- As fichas da ferramenta eléctrica devem corresponder às tomadas. Nunca modifique a ficha. Não utilize fichas adaptadoras com ferramentas eléctricas ligadas à terra. As fichas não modificadas e tomadas correspondentes reduzirão o risco de choques eléctricos.
- Evite contacto corporal com superfícies ligadas à terra, tais como tubos, radiadores, máquinas e frigoríficos. Existe um risco acrescido de choque eléctrico se o seu corpo estiver ligado à terra.
- Não exponha ferramentas eléctricas à chuva ou condições de humidade. A entrada de água numa ferramenta eléctrica aumentará o risco de choques eléctricos.
- Não abuse do fio. Nunca utilize o fio para transportar, puxar ou desligar a ferramenta eléctrica. Mantenha o fio afastado do calor, óleo, margens afiadas ou peças em movimento. Os fios danificados ou entrelaçados podem aumentar o risco de choques eléctricos.
- Quando trabalhar com uma ferramenta eléctrica no exterior, utilize uma extensão adequada para utilização exterior. A utilização de um fio adequado para utilização no exterior reduz o risco de choques eléctricos.
- Se não for possível evitar a utilização de uma máquina eléctrica num local húmido, utilize uma fonte de alimentação protegida por um dispositivo de corrente residual (RCD). A utilização de um RCD reduz o risco de choque eléctrico.

3) Segurança pessoal

- Mantenha-se alerta, esteja atento ao que está a fazer e utilize senso comum quando trabalhar com uma ferramenta eléctrica. Não utilize uma ferramenta eléctrica quando estiver cansado ou sob a influência de drogas, álcool ou medicamentos. Um momento de desatenção enquanto trabalha com ferramentas eléctricas pode resultar em ferimentos pessoais graves.

- Utilize equipamento de protecção pessoal. Utilize sempre protecção para os olhos.

O equipamento de protecção, tal como uma máscara de pó, sapatos de segurança anti-derrapantes, chapéu rígido ou protecção auricular utilizados para condições adequadas reduzirá os ferimentos pessoais.

- Evite ligar por acidente. Certifique-se de que o interruptor está na posição de desligado antes de ligar a fonte de alimentação e/ou bateria, levantar o interruptor ou transportar a ferramenta.

Transportar ferramentas eléctricas com o dedo no interruptor ou activar ferramentas que estão com o interruptor ligado é propício a acidentes.

- Remova qualquer chave de parafusos ou chave-inglesa de regulação antes de ligar a ferramenta.

Uma chave-inglesa ou de parafusos ligada à parte rotativa da ferramenta pode provocar ferimentos pessoais.

- Não se estique. Mantenha sempre o controlo e equilíbrio adequados.

Isto permite obter um melhor controlo da ferramenta em situações inesperadas.

- Use vestuário adequado. Não use roupas largas ou jóias. Mantenha o cabelo, roupas e luvas afastados das peças móveis.

As roupas largas, jóias ou cabelo comprido podem ser apanhados em peças móveis.

- Se forem fornecidos dispositivos para a ligação de extractores de pó e dispositivos de recolha, certifique-se de que estes estão ligados e são utilizados adequadamente.

A utilização de uma recolha de pó pode reduzir os perigos relacionados com o pó.

4) Utilização da ferramenta e manutenção

- Não force a ferramenta eléctrica. Utilize a ferramenta correcta para a sua aplicação.

A ferramenta correcta fará o trabalho melhor e com mais segurança à velocidade para a qual foi concebida.

- Não utilize a ferramenta eléctrica se o interruptor não a ligar ou desligar.

Qualquer ferramenta que não possa ser controlada com o interruptor é perigosa e deve ser reparada.

- Desligue a ficha da rede antes e/ou a bateria da ferramenta eléctrica antes de efectuar quaisquer regulações, mudar os acessórios ou guardar ferramentas eléctricas.

Tais medidas de segurança de prevenção reduzem o risco de ligar a ferramenta eléctrica acidentalmente.

- Guarde as ferramentas eléctricas fora do alcance de crianças e não permita que pessoas não habituadas à ferramenta eléctrica ou estas instruções trabalhem com a ferramenta.

As ferramentas eléctricas são perigosas nas mãos de utilizadores inexperientes.

- Efectue a manutenção de ferramentas eléctricas. Verifique a existência de desalinhamentos ou dobragens das peças móveis, quebras de peças e quaisquer outras condições que possam afectar o funcionamento das ferramentas eléctricas. Se danificada, mande reparar a ferramenta antes de utilizar.

Muitos acidentes são causados por ferramentas com má manutenção.

- Mantenha as ferramentas de corte afiadas e limpas. As ferramentas de corte com uma manutenção adequada e extremidades afiadas são menos propensas a dobrar e mais fáceis de controlar.

- g) Utilize a ferramenta eléctrica, acessórios e pontas de ferramentas, etc., de acordo com estas instruções, tomando em consideração as condições de trabalho e o trabalho a ser efectuado.

A utilização de uma ferramenta eléctrica para operações diferentes das concebidas pode resultar num mau funcionamento.

5) Manutenção

- a) Faça a manutenção da sua ferramenta eléctrica por um pessoal de reparação qualificado e utilize apenas peças de substituição idênticas.

Isto garantirá que a segurança da ferramenta eléctrica é mantida.

AVISO

Mantenha afastadas das crianças e pessoas doentes. Quando não estiverem a ser utilizadas, as ferramentas devem ser guardadas fora do alcance de crianças e pessoas doentes.

PRECAUÇÕES QUANTO AO USO DA SERRA TICO-TICO

Segure na ferramenta pelas superfícies isoladas, quando efectuar uma operação em que o acessório de corte possa entrar em contacto com cabos ocultos ou com o próprio cabo de alimentação. O contacto do acessório de corte com um cabo com corrente poderá electrificar as partes metálicas da ferramenta podendo electrocutar o utilizador.

ESPECIFICAÇÕES

Modelo	FCJ65V3	FCJ65S3
Voltagem (por áreas)*	(110V, 115V, 120V, 127V, 220V, 230V, 240V) ~	
Potência de entrada	400W*	
Profundidade máxima de corte	Madeira: 65mm Aço doce: 6mm	
Rotação sem carga	0 – 3000 min ⁻¹	3000 min ⁻¹
Golpe	18mm	
Raio mínimo de corte	25mm	
Peso (sem fio nem)	1,5kg	

* Não deixe de verificar a voltagem na placa identificadora constante do produto, pois ela está sujeita a mudanças conforme a área.

ACESSÓRIOS-PADRÃO

- (1) Lâminas N.º 31 1
Para cortar madeira grossa
(2) Proteção contra lascas 1
(3) Capa contra fragmentos 1
(4) Chave de barra sextavada 1
Os acessórios-padrão estão sujeitos a mudanças sem aviso prévio.

ACESSÓRIOS OPCIONAIS (vendidos separadamente)

- (1) Lâminas N.º 1 – N.º 6, 31*
* A lâmina N.º 31 é um acessório de série
(2) Guia
Os acessórios opcionais estão sujeitos a mudanças sem aviso prévio.

APLICAÇÕES

- Corte de várias madeiras e cortes de bolso
- Corte de chapas de aço doce, chapas de alumínio e chapas de cobre
- Corte de resinas sintéticas, como resinas de fenol e de cloreto de vinil
- Corte de materiais de construção finos e maleáveis

ANTES DA OPERAÇÃO

1. **Fonte de energia**
Certifique-se de que a fonte de energia a ser utilizada está conforme às exigências especificadas na placa identificadora do produto.
2. **Interruptor**
Certifique-se de que o interruptor está na posição desligada. Se o plugue estiver conectado a um receptáculo quando o interruptor estiver ligado, a ferramenta elétrica vai começar a operar imediatamente, podendo provocar um grave acidente.
3. **Cabo de extensão**
Quando o local de trabalho não possuir uma fonte de energia, utilize um cabo de extensão de espessura e de potência nominal suficientes. A extensão deve ser mantida tão curta quanto possível.

INSTALAR A LÂMINA

1. Utilize a chave de barra sextavada para desapertar os parafusos de definição da lâmina no suporte da lâmina, tal como indicado na **Fig. 1(a)**.
2. Enquanto segura a lâmina com a extremidade de corte virada para a frente, introduza a parte de instalação da lâmina na ranhura do êmbolo até que toque no fundo da ranhura.
3. Tal como indicado na **Fig. 1(b)**, aperte bem o parafuso lateral.

CUIDADO

- Se os parafusos de definição estiverem soltos, a lâmina pode danificar-se. Certifique-se sempre de que os parafusos estão bem apertados. Certifique-se sempre de que a ranhura do êmbolo está limpa e sem serrim, para garantir uma instalação adequada da lâmina e aperto do parafuso de definição.
- 4. Guardar a chave de barra sextavada
- (1) Introduza num orifício na unidade principal enquanto segura o lado curto na horizontal, tal como indicado na **Fig. 2**.
- (2) Rode com a chave de barra sextavada introduzida e fixe tal como indicado na **Fig. 2**.

AJUSTAR O ROLO GUIA

O rolo guia, mostrado na **Fig. 3**, é utilizado para evitar que a lâmina salte. Antes de utilizar, ajuste o rolo guia de acordo com os seguintes procedimentos:

- (1) Desaperte o parafuso de definição do suporte com a chave de barra sextavada.
- (2) Deslize suavemente o rolo guia até que a ranhura do guia toque ligeiramente na parte posterior da lâmina.

NOTA

Quando da entrega de fábrica, existe uma folga de cerca de 3mm entre o rolo e a lâmina.

- (3) Aperte bem o parafuso de definição do suporte.

CUIDADO

- O rolo guia pode ser utilizado apenas em Lâminas que possuem uma linha recta na parte posterior que seja superior a 50 mm. (**Fig. 4A e 4B**) Quando utilizar outros tipos de lâminas (**Fig. 4C**), deslize o rolo guia ao contrário, de forma que o rolo guia não entre em contacto com a lâmina.
- Quando cortar pranchas grossas ou efectuar operações de corte contínuo, utilize a lâmina apresentada na **Fig. 4A, 4B** e certifique-se de que define o rolo guia.

POSICIONAMENTO DA TAMPA CONTRA PROJEÇÕES

1. Tampa contra projecções

Utilize a tampa contra projecções para reduzir a projecção de partículas e utilizar a serra com facilidade.

Deslize a tampa contra projecções enquanto prime ligeiramente a secção dianteira.

A tampa contra projecções pode ser definida para três posições, tal como apresentado na **Fig. 5**.

2. **Como escolher a posição da tampa contra projecções**
Defina a tampa contra projecções para o primeiro passo quando instalar ou remover a lâmina.
Defina a tampa contra projecções para o segundo passo quando cortar materiais de madeira.
Defina a tampa contra projecções para o segundo ou terceiro passo quando cortar materiais metálicos, tais como aço.

CUIDADO

- Mantenha sempre a tampa contra projecções na posição inferior quando trabalhar com a ferramenta.
- Use óculos de protecção, mesmo que seja usada a tampa contra projecções.

AJUSTAR A VELOCIDADE DE FUNCIONAMENTO DA LÂMINA (Apenas para a FCJ65V3)

NOTA

A velocidade de funcionamento da lâmina não pode ser ajustada para a FCJ65S3.

A velocidade de funcionamento da lâmina pode ser ajustada dentro de um intervalo de 0 a 3000 min⁻¹, de acordo com o grau em que é premido o interruptor de accionamento. Seleccione a velocidade adequada para o material com que está a trabalhar e/ou as condições de trabalho.

Para obter um funcionamento contínuo, puxe totalmente o interruptor de accionamento e pressione o batente. De seguida, rode o manípulo de accionamento da velocidade para ajustar a velocidade de accionamento da lâmina, tal como pretendido.

NOTA

O manípulo de ajuste da velocidade roda aproximadamente 1,5 voltas. Para desligar o interruptor, puxe novamente o interruptor para desactivar o batente e solte o interruptor do gatilho.

CORTAR

CUIDADO

- Enquanto serra, a base deve estar firmemente em contacto com a superfície do material e a lâmina deve ser segurada a um ângulo recto. Se a base se separar do material, pode fazer com que a base se quebre.
- Quando cortar enquanto segura na superfície frontal, tenha cuidado em mover a lâmina e segurar bem na parte superior.

1. Corte rectilíneo

- (1) Para garantir um corte rectilíneo preciso, utilize o guia de acessórios opcional, tal como indicado na **Fig. 6**.
- (2) Utilize a protecção contra farpas para reduzir as asperezas da superfície de corte dos materiais de madeira. Instale a protecção contra farpas, introduzindo-a a partir da secção dianteira da base até que engate. (**Fig. 7**)

CUIDADO

Coloque a base na posição dianteira quando utilizar a protecção contra farpas.

2. Cortar um círculo ou um arco circular

Para garantir um corte eficiente, utilize o guia opcional e um prego ou parafuso para madeira, tal como indicado na **Fig. 8**.

Quando montar o guia, desaperte o parafuso inferior da base e desloque a base ao máximo.

3. Serrar linhas curvas

Quando serrar um arco circular pequeno, reduza a velocidade de alimentação da máquina. Se a máquina for alimentada demasiado depressa, a lâmina poderá quebrar.

4. Cortar materiais metálicos

Utilize sempre um agente de corte adequado (óleo para veios, água com sabão, etc.). Quando um agente líquido de corte não estiver disponível, aplique massa lubrificante à superfície posterior do material a cortar.

5. Corte de bolsos**(1) Na madeira**

Alinhe a direcção da lâmina com o grão da madeira, corte passo a passo até que seja cortado um corte de madeira no centro da madeira. (Fig. 9)

(2) Noutros materiais

Quando cortar um orifício de janela em materiais diferentes da madeira, faça inicialmente um orifício com uma broca ou ferramenta semelhante a partir da qual iniciar o corte.

6. Corte angular

Defina a tampa contra projecções para o primeiro passo. (Fig. 5)

Para ajustar o ângulo de inclinação, desaperte o parafuso inferior da base, desloque a posição da base para a ranhura lateral da parte semicircular, alinhe a escala na parte semicircular da base (as imagens gravadas na escala indicam o ângulo de inclinação) com a linha de contorno da carcaça, e aperte bem o parafuso inferior da base. (Fig. 10 e 11)

CUIDADO

Defina o parafuso para o lado oposto do lado inclinado quando utilizar o guia. (Fig. 12)

7. Pó produzido durante o funcionamento**CUIDADO**

- Para evitar acidentes, desligue o interruptor e retire a ficha da fonte de alimentação quando não estiver a ser utilizada.

- Para mais instruções sobre como utilizar o colector de pó e resíduos de corte aplicáveis, leia o manual de instruções do colector de pó.

O pó produzido durante o funcionamento normal pode afectar a saúde do operador. Qualquer uma das soluções é recomendada.

a) Use uma máscara contra o pó**b) Use equipamento de recolha de pó externo**

Quando usar equipamento de recolha de pó externo, ligue o adaptador de borracha (acessório do equipamento de recolha externa de pó) à extremidade do tubo flexível a partir do equipamento de recolha de pó externo.

De seguida, ligue a outra extremidade do adaptador de borracha à peça de ligação do tubo flexível na extremidade traseira do carro de serra. (Consulte a Fig. 13)

SELECÇÃO DE LÂMINAS**1. Lâminas acessórias**

Para garantir uma eficiência máxima de funcionamento e resultado, é muito importante seleccionar a lâmina adequada para o tipo e grossura do material a cortar. É fornecido um tipo de lâmina como acessório de série. O número da lâmina está gravado perto da secção de instalação de cada lâmina. Selecciona as lâminas adequadas consultando a Tabela 1.

Tabela 1 Lista de lâminas adequadas

Material a cortar	Qualidade do material	Lâmina N.º
Madeira	Madeira geral	N.º1 ou N.º31 (chapa espessa) ou N.º41 (chapa espessa) ou N.º2 (chapa fina)
	Contraplacado	N.º3 ou N.º6
Chapa de ferro	Chapa de ferro suave	N.º6
Metal sem ferro	Alumínio, cobre, latão	N.º6
Resina sintética	Resina fenol, resina melamina, etc.	N.º4 (chapa espessa) ou N.º6 (chapa fina)
	Cloreto de vinilo, resina acrílica, etc.	N.º2 ou N.º4 (chapa espessa) ou N.º6 (chapa fina)
	Styrol de espuma, etc.	N.º2
Polpa	Cartão, papel canelado	N.º2
	Soalho	N.º5 ou N.º6
	Prancha de fibra	N.º6
Outros	Borracha dura	N.º2
	Telha	N.º5

2. Lâminas comerciais aceitáveis (Fig. 14)

Esta máquina foi concebida para aceitar a maior parte das lâminas disponíveis à venda no mercado. Tal como ilustrado na Fig. 14, as limitações à dimensão da lâmina são as seguintes:

- Espessura: L2 Menos de 1,6mm
- Largura : L3 6,3mm
- L4 8mm
- L5 7mm

NOTA

Quando cortar materiais grossos, utilize lâminas genuínas da HITACHI que tenham uma inclinação tal como mostrado na Fig. 4-A or B.

MANUTENÇÃO E INSPEÇÃO

1. Inspeção da lâmina

O uso contínuo de uma lâmina cega e danificada resulta em eficiência reduzida de corte e pode provocar sobrecarga do motor. Substitua a lâmina por uma nova tão logo observe uma abrasão excessiva.

2. Inspeção dos parafusos de montagem

Inspeccione regularmente todos os parafusos de montagem e se certifique de que estão corretamente apertados. Se algum deles estiver frouxo, reaperte-o imediatamente. Caso isso não seja feito, pode resultar em perigo grave.

3. Manutenção do motor

A unidade de enrolamento do motor é o verdadeiro "coração" da ferramenta elétrica. Cuide bem para assegurar que o enrolamento não se danifique e/ou se molhe com óleo ou água.

4. Substituição do cabo de alimentação

Se o cabo de alimentação estiver danificado, a Ferramenta deve ser levada à Oficina Autorizada da Hitachi para substituição do mesmo.

5. Assistência Técnica

Em caso de falhas na ferramenta elétrica, consulte um Serviço de Assistência Técnica autorizado.

6. Lista de peças para conserto

- A: Item N°
- B: Código N°
- C: N° Usado
- D: Observações

CUIDADO

Consertos, modificações e inspeção de Ferramentas Elétricas da Hitachi devem ser realizados por uma Oficina Autorizada da Hitachi.

Esta lista de peças pode ser útil se apresentada com a ferramenta na Oficina Autorizada da Hitachi ao solicitar conserto ou manutenção.

Na operação e na manutenção das ferramentas elétricas, devem-se observar as normas de segurança e os padrões prescritos por cada país.

MODIFICAÇÃO

As Ferramentas Elétricas da Hitachi estão sempre sendo aperfeiçoadas e modificadas para incorporar os mais recentes avanços tecnológicos.

Dessa forma, algumas peças (isto é, números de código e/ou design) podem mudar sem aviso prévio.

GARANTIA

Garantimos que a Hitachi Power Tools obedece às respectivas normas específicas estatutárias/de país. Esta garantia não cobre avarias ou danos derivados de má utilização, abuso ou desgaste normal. Em caso de queixa, envie a Ferramenta, não desmontada, juntamente com o CERTIFICADO DE GARANTIA que se encontra no fundo destas instruções de utilização, para um Centro de Serviço Autorizado Hitachi.

NOTA

Devido ao contínuo programa de pesquisa e desenvolvimento da HITACHI, as especificações aqui contidas estão sujeitas a mudanças sem aviso prévio.

Informação a respeito de ruídos e vibração do ar

Os valores medidos foram determinados de acordo com a EN60745 e declarados em conformidade com a ISO 4871.

Nível típico de pressão sonora de peso A: 84 dB (A)

Nível típico da potência sonora de peso A: 95 dB (A)

Imprecisão KpA: 3 dB (A)

Use proteção auditiva.

Os valores totais da vibração (soma do vector triax) são determinados de acordo com a norma EN60745.

Cortar madeira:

Valor de emissão de vibrações **a_h, CW** = 18,3 m/s²

Incerteza de K = 2,1 m/s²

Cortar folha de metal:

Valor de emissão de vibrações **a_h, CM** = 17,2 m/s²

Incerteza K = 4,3 m/s²

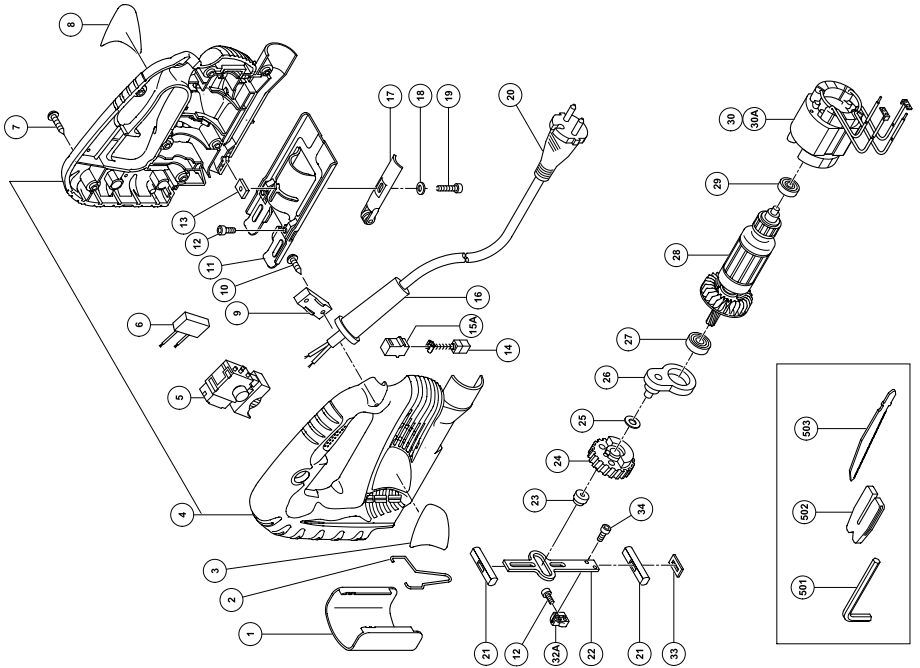
O valor total de vibração declarado foi medido de acordo com um método de teste padrão e pode ser utilizado para comparar ferramentas.

Pode também ser utilizado numa avaliação preliminar de exposição.

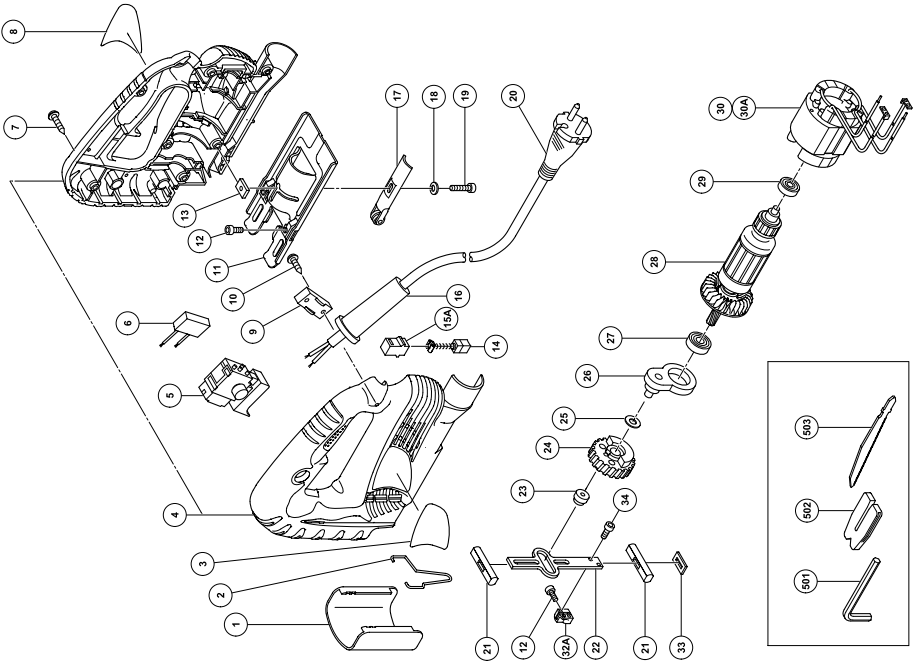
AVISO

- O valor de emissão de vibrações durante a utilização da ferramenta eléctrica pode ser diferente do valor total declarado, consoante as formas de utilização da ferramenta.
- Identificar as medidas de segurança para proteger o operador, que são baseadas numa estimativa de exposição nas actuais condições de utilização (tendo em conta todas as partes do ciclo de funcionamento, tais como os tempos em que a ferramenta é desligada e quando está a funcionar ao ralenti, além do tempo de accionamento do gatilho).

FCJ65V3



A	B	C	D
1	325163	1	D
2	325164	1	
3	---	1	
4	325167	1	
5	323086	1	
6	930039	1	
7	301653	7	D4x20
8	---	1	
9	960266	1	
10	984750	2	D4x16
11	325161	1	
12	949811	2	M4x8
13	962991	1	
14	999041	2	
15A	955203	2	
16-1	930487	1	D8.2
16-2	930026	1	D10.2
17	325162	1	
18	949429	1	M4
19	949754	1	M4x16
20	---	1	
21	325159	2	
22	325246	1	
23	325158	1	
24	325157	1	
25	991733	1	
26	325155	1	
27	608VVM	1	608VVC2PS2L
28-1	360724E	1	220V-230V
28-2	360724F	1	240V
28-3	360811G	1	127V "27, 29"
29	626VVM	1	626VVC2PS2L
30-1	340631F	1	240V "31"
30-2	340631G	1	127V "31"
30A-1	340669E	1	220V-230V
30A-2	340669F	1	240V "AUS"
32A	325247	1	
33	325248	1	
34	325241	2	M3x8
501	943277	1	3MM
502	305810	1	
503	879356	1	NO. 31



A	B	C	D
1	325163	1	
2	325164	1	
3	---	1	
4	325167	1	
5	323575	1	
6	930039	1	
7	301653	7	D4x20
8	---	1	
9	960266	1	
10	984750	2	D4x16
11	325161	1	
12	949811	2	M4x8
13	962991	1	
14	999041	2	
15A	955203	2	
16-1	930487	1	D8.2
16-2	930026	1	D10.2
17	325162	1	
18	949429	1	M4
19	949754	1	M4x16
20	---	1	
21	325159	2	
22	325246	1	
23	325158	1	
24	325157	1	
25	991733	1	
26	325155	1	
27	608VVM	1	608VVC2PS2L
28-1	360724E	1	220V-230V
28-2	360724F	1	240V
29	626VVM	1	626VVC2PS2L
30	340631F	1	240V "31"
30A-1	340669E	1	220V-230V
30A-2	340669F	1	240V "AUS"
32A	325247	1	
33	325248	1	
34	325241	2	M3x8
501	943277	1	3MM
502	305810	1	
503	879356	1	NO. 31

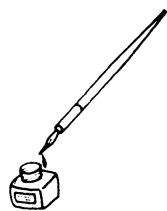
<p>English</p> <p><u>GUARANTEE CERTIFICATE</u></p> <ol style="list-style-type: none"> ① Model No. ② Serial No. ③ Date of Purchase ④ Customer Name and Address ⑤ Dealer Name and Address (Please stamp dealer name and address) 	<p>Nederlands</p> <p><u>GARANTIEBEWIJS</u></p> <ol style="list-style-type: none"> ① Modelnummer ② Serienummer ③ Datum van aankoop ④ Naam en adres van de gebruiker ⑤ Naam en adres van de handelaar (Stempel a.u.b. naam en adres vande de handelaar)
<p>Deutsch</p> <p><u>GARANTIESCHEIN</u></p> <ol style="list-style-type: none"> ① Modell-Nr. ② Serien-Nr. ③ Kaufdatum ④ Name und Anschrift des Kunden ⑤ Name und Anschrift des Händlers (Bitte mit Namen und Anschrift des Handlers abstempeln) 	<p>Español</p> <p><u>CERTIFICADO DE GARANTIA</u></p> <ol style="list-style-type: none"> ① Número de modelo ② Número de serie ③ Fecha de adquisición ④ Nombre y dirección del cliente ⑤ Nombre y dirección del distribuidor (Se ruega poner el sellú del distribuidor con su nombre y dirección)
<p>Français</p> <p><u>CERTIFICAT DE GARANTIE</u></p> <ol style="list-style-type: none"> ① No. de modèle ② No. de série ③ Date d'achat ④ Nom et adresse du client ⑤ Nom et adresse du revendeur (Cachet portant le nom et l'adresse du revendeur) 	<p>Português</p> <p><u>CERTIFICADO DE GARANTIA</u></p> <ol style="list-style-type: none"> ① Número do modelo ② Número do série ③ Data de compra ④ Nome e morada do cliente ⑤ Nome e morada do distribuidor (Por favor, carimbe o nome e morada do distribuidor)
<p>Italiano</p> <p><u>CERTIFICATO DI GARANZIA</u></p> <ol style="list-style-type: none"> ① Modello ② N° di serie ③ Data di acquisto ④ Nome e indirizzo dell'acquirente ⑤ Nome e indirizzo del rivenditore (Si prega di apporre il timbro con questi dati) 	

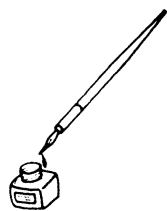


HITACHI

①	
②	
③	
④	
⑤	







Hitachi Power Tools Europe GmbH

Siemensring 34, 47877 Willich 1, F. R. Germany
Tel: +49 2154 49930
Fax: +49 2154 499350
URL: <http://www.hitachi-powertools.de>

Hitachi Power Tools Netherlands B. V.

Brabanthaven 11, 3433 PJ Nieuwegein, The Netherlands
Tel: +31 30 6084040
Fax: +31 30 6067266
URL: <http://www.hitachi-powertools.nl>

Hitachi Power Tools (U. K.) Ltd.

Precedent Drive, Rooksley, Milton Keynes, MK 13, 8PJ, United Kingdom
Tel: +44 1908 660663
Fax: +44 1908 606642
URL: <http://www.hitachi-powertools.co.uk>

Hitachi Power Tools France S. A. S.

Prac del' Eglantier 22, rue des Crerisiers Lisses, C. E. 1541,
91015 EVRY CEDEX, France
Tel: +33 1 69474949
Fax: +33 1 60861416
URL: <http://www.hitachi-powertools.fr>

Hitachi Power Tools Belgium N.V. / S.A.

Koningin Astridlaan 51, 1780 Wommel, Belgium
Tel: +32 2 460 1720
Fax: +32 2 460 2542
URL <http://www.hitachi-powertools.be>

Hitachi Fercad Power Tools Italia S.p.A


Via Retrone 49-36077, Altavilla Vicentina (VI), Italy
Tel: +39 0444 548111
Fax: +39 0444 548110
URL: <http://www.hitachi-powertools.it>

Hitachi Power Tools Iberica, S.A.

C / Migjorn, s/n, Poligono Norte, 08226 Terrassa, Barcelona, Spain
Tel: +34 93 735 6722
Fax: +34 93 735 7442
URL: <http://www.hitachi-powertools.es>

Hitachi Power Tools Österreich GmbH

Str. 7, Objekt 58/A6, Industriezentrum NÖ –Süd 2355
Wiener Neudorf, Austria
Tel: +43 2236 64673/5
Fax: +43 2236 63373

<p>English</p> <p>EC DECLARATION OF CONFORMITY</p> <p>We declare under our sole responsibility that this product is in conformity with standards or standardization documents EN60745, EN55014 and EN61000 in accordance with Directives 2004/108/EC and 2006/42/EC. The European Standards Manager at Hitachi Koki Europe Ltd. is authorized to compile the technical file.</p> <p>This declaration is applicable to the product affixed CE marking.</p>	<p>Nederlands</p> <p>EC VERKLARING VAN CONFORMITEIT</p> <p>Wij verklaren onder eigen verantwoordelijkheid dat dit product conform de richtlijnen of gestandaardiseerde documenten EN60745, EN55014 en EN61000 voldoet aan de eisen van bepalingen 2004/108/EC en 2006/42/EC. De manager voor Europese normen van Hitachi Koki Europe Ltd. heeft de bevoegdheid tot het samenstellen van het technische bestand.</p> <p>Deze verklaring is van toepassing op producten voorzien van de CE-markeringen.</p>
<p>Deutsch</p> <p>ERKLÄRUNG ZUR KONFORMITÄT MIT CE-REGELN</p> <p>Wir erklären mit alleiniger Verantwortung, dass dieses Produkt den Standards oder Standardisierungsdokumenten EN60745, EN55014 und EN61000 in Übereinstimmung mit den Direktiven 2004/108/CE und 2006/42/CE entspricht.</p> <p>Der Manager für europäische Standards bei der Hitachi Koki Europe Ltd. ist zum Verfassen der technischen Datei befugt.</p> <p>Diese Erklärung gilt für Produkte, die die CE-Markierung tragen.</p>	<p>Español</p> <p>DECLARACIÓN DE CONFORMIDAD DE LA CE</p> <p>Declaramos bajo nuestra única responsabilidad que este producto está de acuerdo con las normas o con los documentos de normalización EN60745, EN55014 y EN61000, según indican las Directrices 2004/108/CE y 2006/42/CE.</p> <p>El Jefe de Normas Europeas de Hitachi Koki Europe Ltd. está autorizado para recopilar archivos técnicos.</p> <p>Esta declaración se aplica a los productos con marcas de la CE.</p>
<p>Français</p> <p>DECLARATION DE CONFORMITE CE</p> <p>Nous déclarons sous notre seule et entière responsabilité que ce produit est conforme aux normes ou documents de normalisation EN60745, EN55014 et EN61000 en accord avec les Directives 2004/108/CE et 2006/42/CE. Le responsable des normes européennes d'Hitachi Koki Europe Ltd. est autorisé à compiler les données techniques. Cette déclaration s'applique aux produits désignés CE.</p>	<p>Português</p> <p>DECLARAÇÃO DE CONFORMIDADE CE</p> <p>Declaramos, sob nossa única e inteira responsabilidade, que este produto está de acordo com as normas ou documentos normativos EN60745, EN55014 e EN61000, em conformidade com as Directrizes 2004/108/CE e 2006/42/CE.</p> <p>O Gestor de Normas Europeias da Hitachi Koki Europe Ltd. está autorizado a compilar o ficheiro técnico.</p> <p>Esta declaração se aplica aos produtos designados CE.</p>
<p>Italiano</p> <p>DICHIARAZIONE DI CONFORMITÀ CE</p> <p>Dichiariamo sotto nostra responsabilità che questo prodotto è conforme agli standard o ai documenti sulla standardizzazione EN60745, EN55014 e EN61000 in conformità alle Direttive 2004/108/CE e 2006/42/CE. Il Responsabile delle Norme Europee di Hitachi Koki Ltd. è autorizzato a compilare la scheda tecnica.</p> <p>Questa dichiarazione è applicabile ai prodotti cui sono applicati i marchi CE.</p>	
<p>Representative office in Europe Hitachi Power Tools Europe GmbH Siemensring 34, 47877 Willich 1, F. R. Germany</p> <p>Technical file at: Hitachi Koki Europe Ltd. Clonshaugh Business & Technology Park, Dublin 17, Ireland</p> <p>Head office in Japan Hitachi Koki Co., Ltd. Shinagawa Intercity Tower A, 15-1, Konan 2-chome, Minato-ku, Tokyo, Japan</p> <div style="text-align: right;">  <p>29. 4. 2011</p> <p><i>F. Tashimo</i></p> <hr/> <p>F. Tashimo Vice-President & Director</p> </div>	