

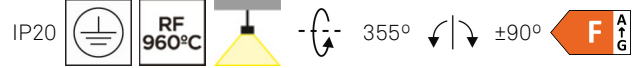


## Vitro Double

## DE-0195-CRO

Projector IP20 Vitro Double LED 10W 3000K Crom 897lm

### CARACTERÍSTIQUES TÈCNIQUES



Consum total de la lluminaria (W) : 12W

Lumens reals : 897

Lumens nominals : 1400

Lm / W reals : 75

Temperatura de color correlacionada (CCT) : Blanc càlid - 3000K

Angle Òptiques / Reflector : MEDIUM 28°

UGR : <= 19

Material de l'estructura : Acer

Acabat estructura : Crom

Voltatge / Freqüència : 100-240V/50-60Hz

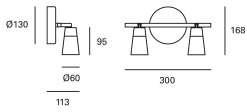
Protocol de Regulació : ON-OFF

Factor de potència : 0.90

Vida útil : 36.000h L70B30

Garantia : 2 Anys

Luminaria fàcilment reciclable



### CARACTERÍSTIQUES LUMINOTÈCNIQUES

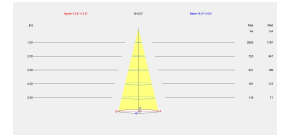
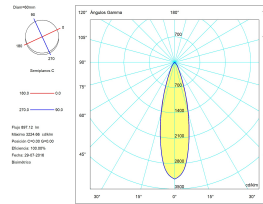
MacAdam steps: NA

UGR

UGR Transversal: 16.2

UGR Longitudinal: 16.1

Portallums	Quantitat	Potencia font de llum (W)
LED	1	10W



### LOGÍSTICA

Pes net (Kg): 0.79

Pes embalat (Kg): 1.02

Embalatge: 140mm x 130mm x 320mm



**Luminaire**

Code DE-0195-CRO  
 Name Aplique FORLIGHT led 10W 3000K

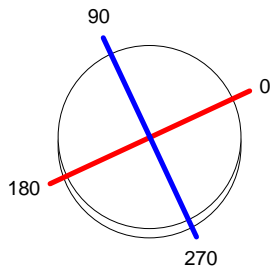
**Measur.**

Code DE-0194-CRO  
 Name Aplique FORLIGHT led 5W 3000K

Luminaire Flux	897.12 lm	Luminaire Power	6.00 W	Efficacy	149.52 lm/W	Efficiency	100.00%
Lamps Flux	897.12 lm	Maximum value	3224.66 cd/klm	Position	C=0.00 G=0.00	CG	Double Symmetrical
Round Luminaire Round Luminous Area		Diam. Diam.	60 mm 50 mm	Height Height	170 mm 0 mm		
Horizontal Luminous Area Emitting area on Plane 0° Emitting area on Plane 90°		0.001963 m2 0.000000 m2 0.000000 m2		Emitting area on Plane 180° Emitting area on Plane 270° Glare area at 76°		0.000000 m2 0.000000 m2 0.000475 m2	
Coordinate system Date Measurement Distance		CG 29-07-2016 0.00		Symmetry Type Maximum Gamma Angle Measurement Flux		Double Symmetrical 90 897.12 lm	
Operator Temperature Humidity Notes		Asselum T3 25.00 °C 60.00 %		Source Voltage [V] Source current [A] Photocell			

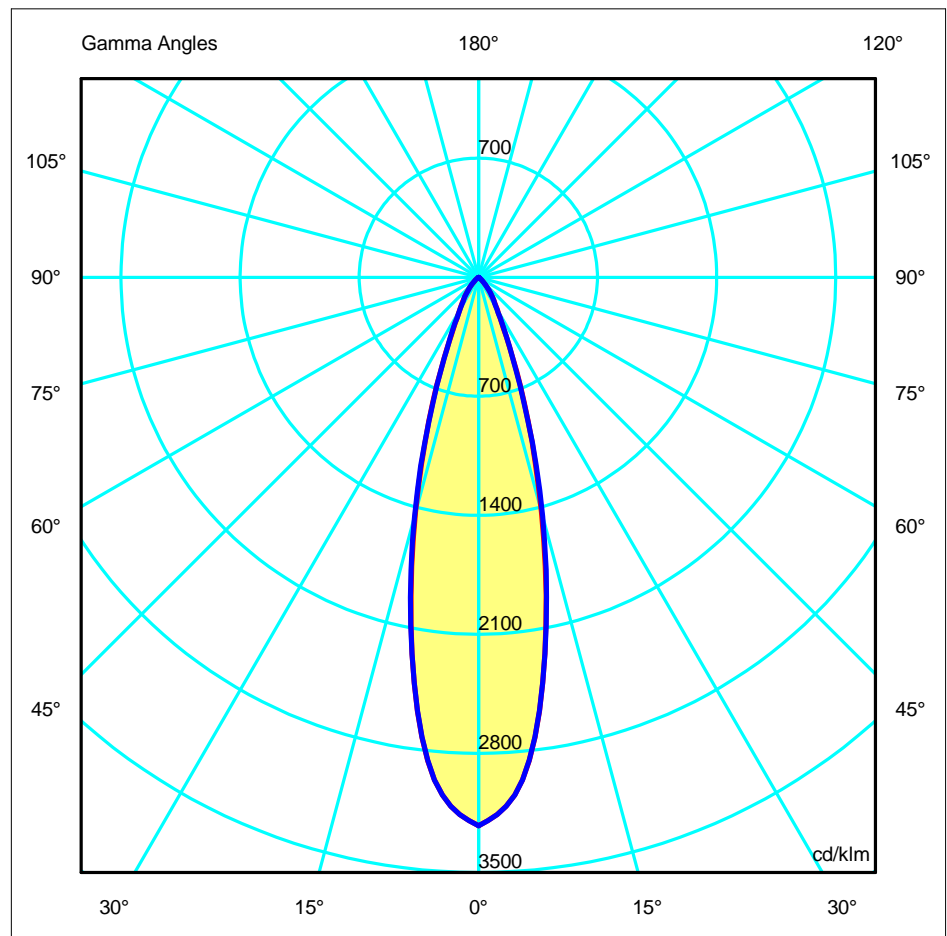
Line		Code	Luminaire Lamps	Flux [lm]	Pow. [W]	Q.ty
		DE-0195-CRO	Name DE-0195-CRO - 10 W	897.12	10.00	1
C.I.E.	96 100 100 100 100		D DIN 5040	A60		
F UTE	1.00 A		B NBN	BZ 1		

Diam=60mm



C Halfplanes  
 180.0 — 0.0  
 270.0 — 90.0

ULOR 0.00 %  
 DLOR 100.00 %  
 RN 0.00 %





**Luminaire**

Code DE-0195-CRO  
 Name Aplique FORLIGHT led 10W 3000K

**Measur.**

Code DE-0194-CRO  
 Name Aplique FORLIGHT led 5W 3000K

Luminaire Flux	897.12 lm	Luminaire Power	6.00 W	Efficacy	149.52 lm/W	Efficiency	100.00%
Lamps Flux	897.12 lm	Maximum value	3224.66 cd/klm	Position	C=0.00 G=0.00	CG	Double Symmetrical

**Luminous Intensity Table cd/klm Table 1/1**

	C 0.00	C 15.00	C 30.00	C 45.00	C 60.00	C 75.00	C 90.00
G 0.0	3224.66	3224.66	3224.66	3224.66	3224.66	3224.66	3224.66
G 5.0	2967.55	2964.17	2958.69	2963.19	2953.01	2950.26	2966.53
G 10.0	2248.77	2240.37	2244.64	2252.79	2251.60	2255.87	2248.16
G 15.0	1427.14	1423.90	1417.90	1437.84	1435.09	1443.11	1455.15
G 20.0	789.11	780.97	775.18	788.31	783.82	797.71	780.00
G 25.0	386.96	384.02	381.18	390.87	385.42	392.51	392.80
G 30.0	221.82	223.55	221.63	220.52	218.78	218.98	215.45
G 35.0	144.79	144.99	143.88	143.42	140.92	143.33	141.86
G 40.0	86.59	86.97	87.94	86.89	84.18	85.84	85.49
G 45.0	42.28	43.06	44.20	44.92	43.24	43.97	44.29
G 50.0	19.15	19.37	21.10	21.02	20.58	20.50	20.85
G 55.0	4.31	4.83	4.92	5.53	4.96	5.38	5.21
G 60.0	0.42	0.41	0.41	0.43	0.47	0.49	0.49
G 65.0	0.46	0.45	0.46	0.46	0.46	0.47	0.48
G 70.0	0.62	0.60	0.61	0.61	0.63	0.64	0.66
G 75.0	0.85	0.83	0.83	0.85	0.87	0.91	0.93
G 80.0	1.08	1.06	1.07	1.09	1.14	1.19	1.23
G 85.0	1.32	1.30	1.31	1.34	1.40	1.47	1.52
G 90.0	1.55	1.53	1.54	1.59	1.65	1.75	1.81

**Luminaire**

Code DE-0195-CRO  
 Name Aplique FORLIGHT led 10W 3000K

**Measur.**

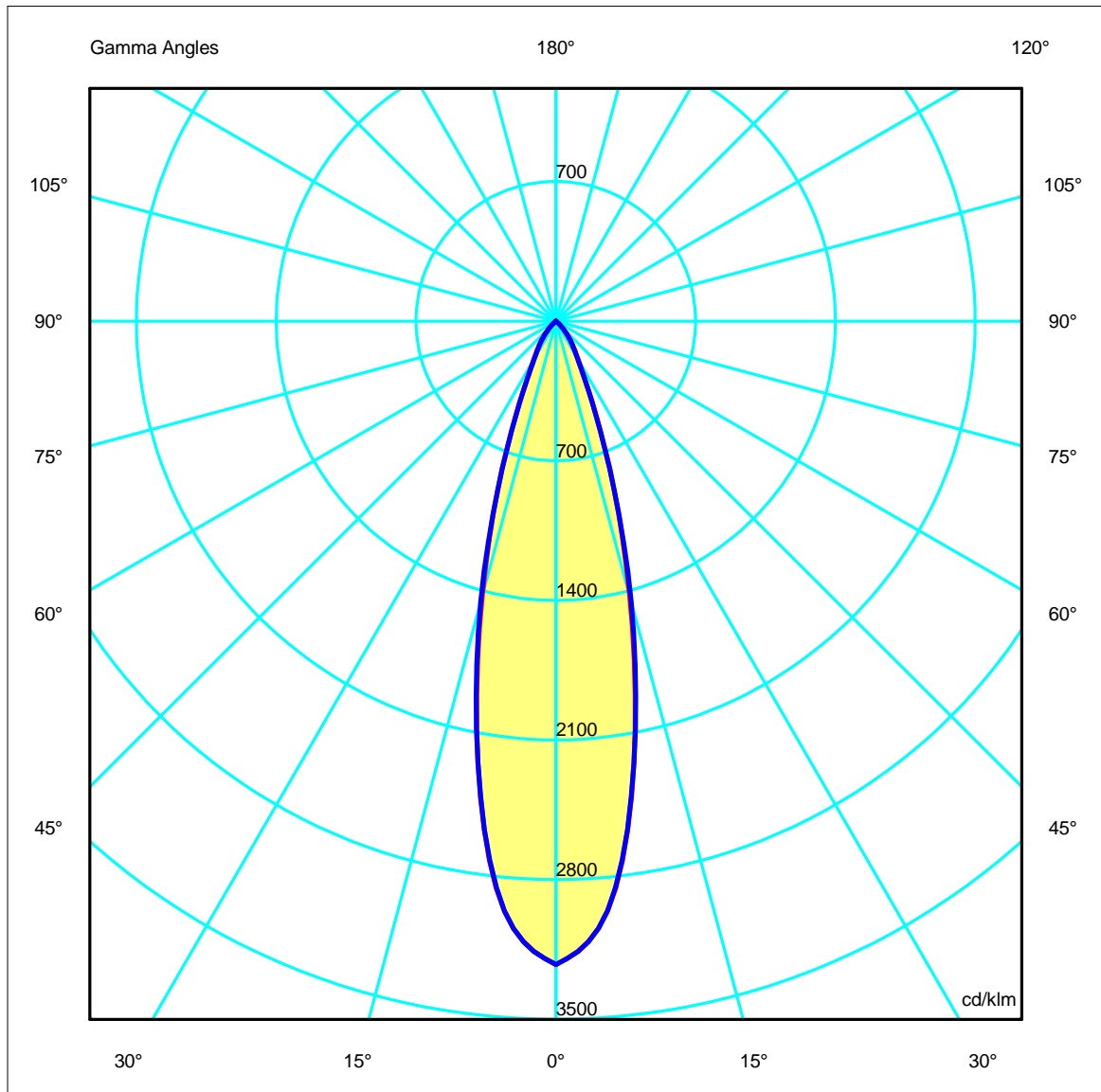
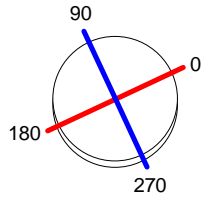
Code DE-0194-CRO  
 Name Aplique FORLIGHT led 5W 3000K

Luminaire Flux	897.12 lm	Luminaire Power	6.00 W	Efficacy	149.52 lm/W	Efficiency	100.00%
Lamps Flux	897.12 lm	Maximum value	3224.66 cd/klm	Position	C=0.00 G=0.00	CG	Double Symmetrical

Diam=60mm

C Halfplanes

180.0 ——— 0.0  
 270.0 ——— 90.0



**Luminaire**

Code DE-0195-CRO  
Name Aplique FORLIGHT led 10W 3000K

**Measur.**

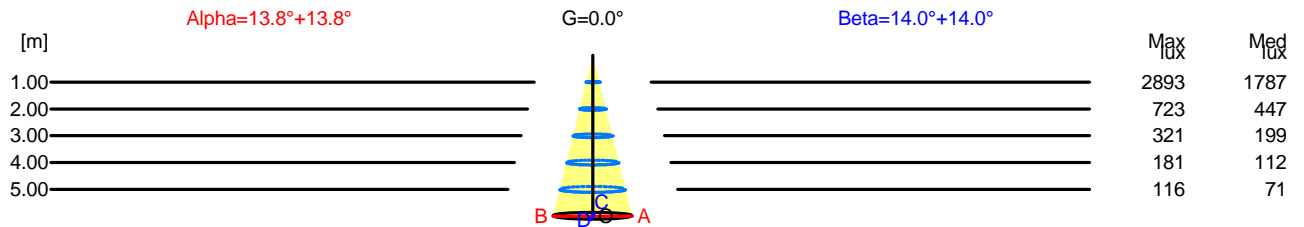
Code DE-0194-CRO  
Name Aplique FORLIGHT led 5W 3000K

Luminaire Flux	897.12 lm	Luminaire Power	6.00 W	Efficacy	149.52 lm/W	Efficiency	100.00%
Lamps Flux	897.12 lm	Maximum value	3224.66 cd/klm	Position	C=0.00 G=0.00	CG	Double Symmetrical

Width at 50.00 % of Max Intensity

H[m]	1.00	2.00	3.00	4.00	5.00	H[m]	1.00	2.00	3.00	4.00	5.00
OA	0.25	0.49	0.74	0.98	1.23	OC	0.25	0.50	0.75	1.00	1.24
OB	0.25	0.49	0.74	0.98	1.23	OD	0.25	0.50	0.75	1.00	1.24

	Luminous Intensities [ cd/klm]									
	0	5	15	25	35	45	55	65	75	85
OA	2892.91	2662.25	1280.32	347.15	129.89	37.93	3.87	0.42	0.76	1.19
OB	2892.91	2662.25	1280.32	347.15	129.89	37.93	3.87	0.42	0.76	1.19
OC	2892.91	2661.33	1305.44	352.39	127.27	39.73	4.67	0.43	0.84	1.36
OD	2892.91	2661.33	1305.44	352.39	127.27	39.73	4.67	0.43	0.84	1.36



H[m]	D[m]	Max lux	Med lux	Alpha=13.8°+13.8°	G=0.0
1.00	0.49	2893	1787		
2.00	0.98	723	447		
3.00	1.47	321	199		
4.00	1.97	181	112		
5.00	2.46	116	71		

H[m]	D[m]	Max lux	Med lux	Beta=14.0°+14.0°	G=0.0
1.00	0.50	2893	1787		
2.00	1.00	723	447		
3.00	1.49	321	199		
4.00	1.99	181	112		
5.00	2.49	116	71		



**Luminaire**

Code DE-0195-CRO  
Name Aplique FORLIGHT led 10W 3000K

**Measurement**

Code DE-0194-CRO  
Name Aplique FORLIGHT led 5W 3000K

Luminaire Flux	897.12 lm	Luminaire Power	6.00 W	Efficacy	149.52 lm/W	Efficiency	100.00%
Lamps Flux	897.12 lm	Maximum value	3224.66 cd/klm	Position	C=0.00 G=0.00	CG	Double Symmetrical

**UGR**  
S = 0.250

Reflectancies										
Ceiling/Cavity	0.7	0.7	0.5	0.5	0.3	0.7	0.7	0.5	0.5	0.3
Walls	0.5	0.3	0.5	0.3	0.3	0.5	0.3	0.5	0.3	0.3
WorkingPlane	0.2	0.2	0.2	0.2	0.2	0.2	0.2	0.2	0.2	0.2
RoomDimensions	ViewedCrosswise					ViewedEndwise				
x=2H y=2H	16.4	17.0	16.6	17.2	17.3	16.3	16.9	16.5	17.1	17.3
x=2H y=3H	16.2	16.8	16.5	17.1	17.2	16.1	16.7	16.4	17.0	17.2
x=2H y=4H	16.2	16.7	16.5	17.0	17.1	16.1	16.6	16.4	16.9	17.1
x=2H y=6H	16.1	16.6	16.4	16.9	17.1	16.0	16.6	16.4	16.8	17.1
x=2H y=8H	16.1	16.6	16.5	16.9	17.1	16.1	16.6	16.4	16.9	17.1
x=2H y=12H	16.1	16.6	16.5	16.9	17.2	16.1	16.6	16.4	16.9	17.2
x=4H y=2H	16.2	16.7	16.5	17.0	17.1	16.1	16.6	16.4	16.9	17.1
x=4H y=3H	16.0	16.5	16.4	16.8	17.0	15.9	16.4	16.3	16.7	17.0
x=4H y=4H	16.0	16.4	16.3	16.7	17.0	15.9	16.3	16.3	16.6	17.0
x=4H y=6H	15.9	16.3	16.3	16.6	17.0	15.9	16.2	16.3	16.6	17.0
x=4H y=8H	16.0	16.3	16.4	16.7	17.0	15.9	16.2	16.3	16.6	17.0
x=4H y=12H	16.1	16.3	16.5	16.7	17.1	16.0	16.3	16.5	16.7	17.1
x=8H y=4H	15.9	16.2	16.3	16.6	16.9	15.8	16.1	16.2	16.5	16.9
x=8H y=6H	15.9	16.1	16.3	16.5	16.9	15.8	16.0	16.2	16.5	16.9
x=8H y=8H	15.9	16.1	16.4	16.6	17.0	15.9	16.1	16.4	16.5	17.0
x=8H y=12H	16.1	16.2	16.6	16.7	17.2	16.1	16.3	16.6	16.7	17.2
x=12H y=4H	15.8	16.1	16.3	16.5	16.8	15.7	16.0	16.2	16.4	16.8
x=12H y=6H	15.8	16.0	16.3	16.5	16.9	15.8	16.0	16.2	16.4	16.9
x=12H y=8H	15.9	16.1	16.4	16.5	17.0	15.9	16.0	16.4	16.5	17.0

**Luminaire**

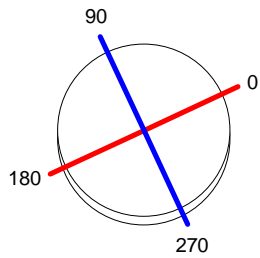
Code DE-0195-CRO  
 Name Applique FORLIGHT led 10W 3000K

**Measur.**

Code DE-0194-CRO  
 Name Applique FORLIGHT led 5W 3000K

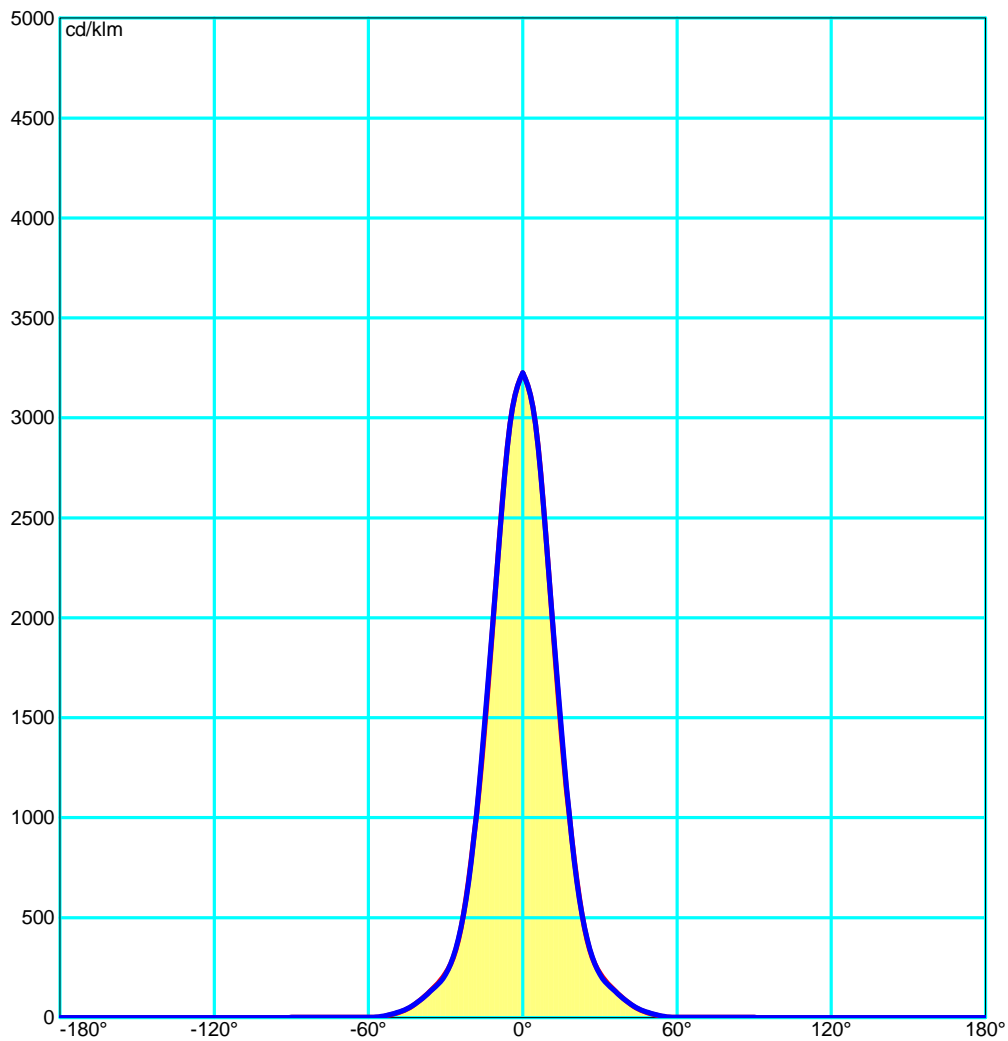
Luminaire Flux	897.12 lm	Luminaire Power	6.00 W	Efficacy	149.52 lm/W	Efficiency	100.00%
Lamps Flux	897.12 lm	Maximum value	3224.66 cd/klm	Position	C=0.00 G=0.00	CG	Double Symmetrical

Diam=60mm



C Halfplanes

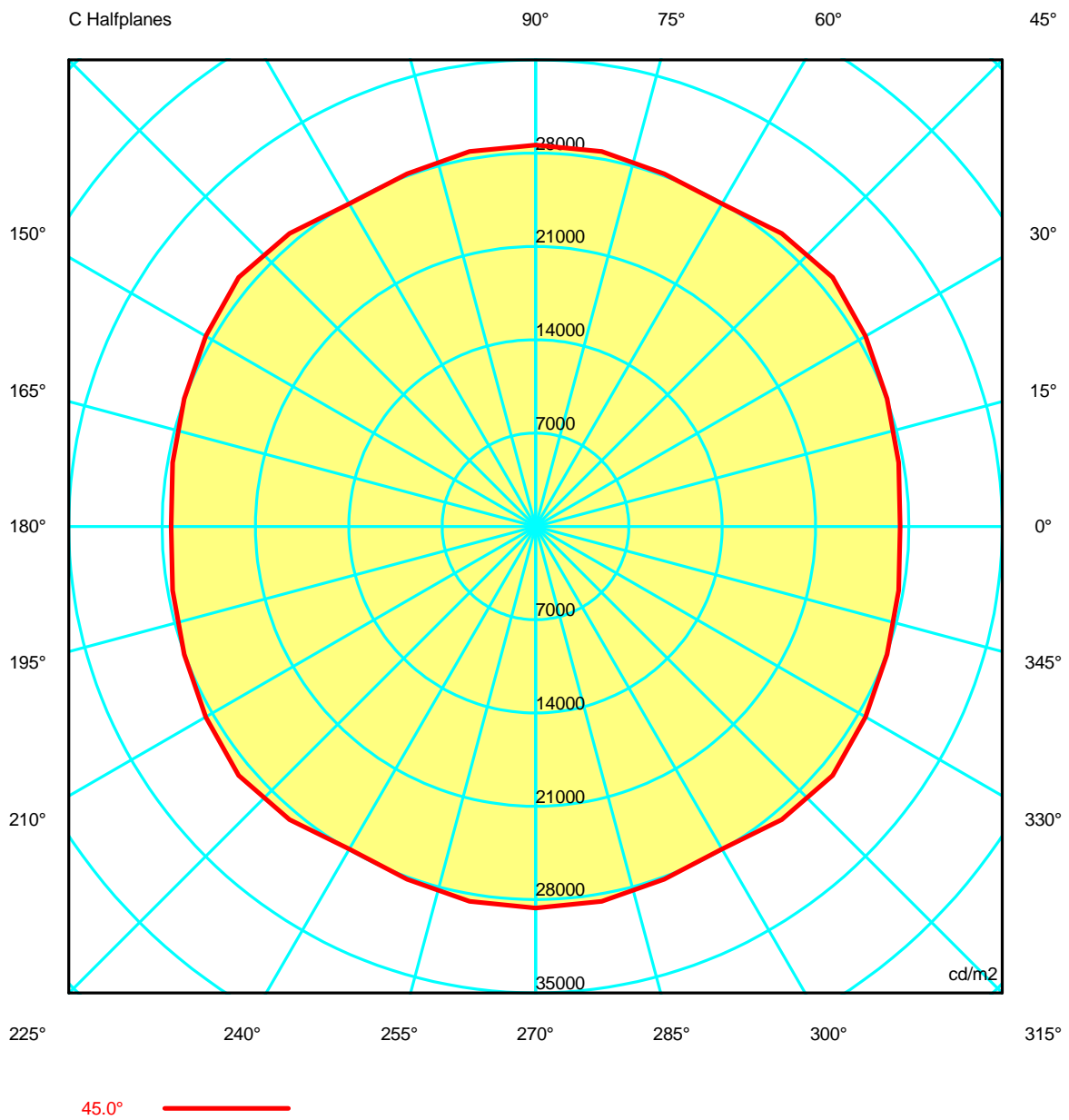
180.0 ———— 0.0  
 270.0 ———— 90.0



**Luminaire**  
 Code DE-0195-CRO  
 Name Aplique FORLIGHT led 10W 3000K  
**Measur.**  
 Code DE-0194-CRO  
 Name Aplique FORLIGHT led 5W 3000K

Luminaire Flux	897.12 lm	Luminaire Power	6.00 W	Efficacy	149.52 lm/W	Efficiency	100.00%
Lamps Flux	897.12 lm	Maximum value	3224.66 cd/klm	Position	C=0.00 G=0.00	CG	Double Symmetrical

Luminance







**Luminaire**

Code DE-0195-CRO  
Name Aplique FORLIGHT led 10W 3000K

**Measurerm.**

Code DE-0194-CRO  
Name Aplique FORLIGHT led 5W 3000K

Luminaire Flux	897.12 lm	Luminaire Power	6.00 W	Efficacy	149.52 lm/W	Efficiency	100.00%
Lamps Flux	897.12 lm	Maximum value	3224.66 cd/klm	Position	C=0.00 G=0.00	CG	Double Symmetrical

**Luminance cd/m2 Table 1/3**

	C 0.00	C 10.00	C 20.00	C 30.00	C 40.00	C 50.00	C 60.00	C 70.00	C 80.00	C 90.00	C 100.00	C 110.00	C 120.00
G 0.0	1473719.45	1473719.45	1473719.45	1473719.45	1473719.45	1473719.45	1473719.45	1473719.45	1473719.45	1473719.45	1473719.45	1473719.45	1473719.45
G 5.0	1361396.41	1360631.15	1358703.86	1357329.05	1359026.75	1358443.64	1354725.68	1352876.86	1355230.01	1360924.66	1355230.01	1352876.86	1354725.68
G 10.0	1043573.79	1040477.71	1039687.97	1041657.71	1044614.85	1045408.78	1044890.08	1046425.51	1046328.19	1043294.40	1046328.19	1046425.51	1044890.08
G 15.0	675234.01	674753.65	671949.68	670858.13	677440.61	680783.83	678994.26	680856.26	684733.67	688483.97	684733.67	680856.26	678994.26
G 20.0	383780.23	381355.83	378066.64	377006.61	381766.07	382860.87	381207.89	386214.14	386931.20	379348.24	386931.20	386214.14	381207.89
G 25.0	195130.65	194372.11	192647.04	192215.92	195915.73	196558.63	194352.99	196488.94	197976.49	198071.85	197976.49	196488.94	194352.99
G 30.0	117059.02	117876.02	117748.15	116958.24	116578.17	116029.07	115454.27	115608.94	115165.65	113698.23	115165.65	115608.94	115454.27
G 35.0	80777.40	80949.60	80688.52	80271.97	80241.13	79473.58	78618.94	79505.28	79989.90	79145.35	79989.90	79505.28	78618.94
G 40.0	51656.65	51755.89	52095.30	52465.55	52269.41	51190.50	50223.41	50813.28	51335.21	51003.91	51335.21	50813.28	50223.41
G 45.0	27328.48	27643.79	28041.43	28570.21	29065.14	28702.78	27947.41	28165.71	28562.48	28624.61	28562.48	28165.71	27947.41
G 50.0	13615.36	13717.73	14166.46	15000.95	15074.35	14815.22	14634.64	14560.60	14634.50	14823.68	14634.50	14560.60	14634.64
G 55.0	3433.27	3763.49	3856.88	3920.90	4314.19	4291.56	3950.46	4148.41	4317.16	4151.78	4317.16	4148.41	3950.46
G 60.0	382.78	377.03	375.06	377.86	385.69	406.02	431.44	443.44	445.31	445.32	445.31	443.44	431.44
G 65.0	502.63	492.90	491.72	496.75	497.48	498.72	500.47	506.39	512.65	517.77	512.65	506.39	500.47
G 70.0	827.32	809.67	808.32	817.69	819.08	827.14	844.09	855.81	866.58	879.76	866.58	855.81	844.09
G 75.0	1495.55	1468.70	1459.40	1469.00	1485.43	1507.05	1537.99	1580.63	1619.30	1648.50	1619.30	1580.63	1537.99
G 80.0	2854.21	2798.01	2790.05	2822.10	2849.48	2903.19	2992.77	3088.91	3171.48	3239.17	3171.48	3088.91	2992.77
G 85.0	6931.54	6843.06	6815.55	6865.10	6968.33	7121.87	7336.71	7606.91	7827.73	7972.09	7827.73	7606.91	7336.71
G 90.0	0.00	0.00	0.00	0.00	0.00	0.00	0.00	0.00	0.00	0.00	0.00	0.00	0.00



**Luminaire**

Code DE-0195-CRO  
Name Aplique FORLIGHT led 10W 3000K

**Measurerm.**

Code DE-0194-CRO  
Name Aplique FORLIGHT led 5W 3000K

Luminaire Flux	897.12 lm	Luminaire Power	6.00 W	Efficacy	149.52 lm/W	Efficiency	100.00%
Lamps Flux	897.12 lm	Maximum value	3224.66 cd/klm	Position	C=0.00 G=0.00	CG	Double Symmetrical

**Luminance cd/m2 Table 2/3**

	C 130.00	C 140.00	C 150.00	C 160.00	C 170.00	C 180.00	C 190.00	C 200.00	C 210.00	C 220.00	C 230.00	C 240.00	C 250.00
G 0.0	1473719.45	1473719.45	1473719.45	1473719.45	1473719.45	1473719.45	1473719.45	1473719.45	1473719.45	1473719.45	1473719.45	1473719.45	1473719.45
G 5.0	1358443.64	1359026.75	1357329.05	1358703.86	1360631.15	1361396.41	1360631.15	1358703.86	1357329.05	1359026.75	1358443.64	1354725.68	1352876.86
G 10.0	1045408.78	1044614.85	1041657.71	1039687.97	1040477.71	1043573.79	1040477.71	1039687.97	1041657.71	1044614.85	1045408.78	1044890.08	1046425.51
G 15.0	680783.83	677440.61	670858.13	671949.68	674753.65	675234.01	674753.65	671949.68	670858.13	677440.61	680783.83	678994.26	680856.26
G 20.0	382860.87	381766.07	377006.61	378066.64	381355.83	383780.23	381355.83	378066.64	377006.61	381766.07	382860.87	381207.89	386214.14
G 25.0	196558.63	195915.73	192215.92	192647.04	194372.11	195130.65	194372.11	192647.04	192215.92	195915.73	196558.63	194352.99	196488.94
G 30.0	116029.07	116578.17	116958.24	117748.15	117876.02	117059.02	117876.02	117748.15	116958.24	116578.17	116029.07	115454.27	115608.94
G 35.0	79473.58	80241.13	80271.97	80688.52	80949.60	80777.40	80949.60	80688.52	80271.97	80241.13	79473.58	78618.94	79505.28
G 40.0	51190.50	52269.41	52465.55	52095.30	51755.89	51656.65	51755.89	52095.30	52465.55	52269.41	51190.50	50223.41	50813.28
G 45.0	28702.78	29065.14	28570.21	28041.43	27643.79	27328.48	27643.79	28041.43	28570.21	29065.14	28702.78	27947.41	28165.71
G 50.0	14815.22	15074.35	15000.95	14166.46	13717.73	13615.36	13717.73	14166.46	15000.95	15074.35	14815.22	14634.64	14560.60
G 55.0	4291.56	4314.19	3920.90	3856.88	3763.49	3433.27	3763.49	3856.88	3920.90	4314.19	4291.56	3950.46	4148.41
G 60.0	406.02	385.69	377.86	375.06	377.03	382.78	377.03	375.06	377.86	385.69	406.02	431.44	443.44
G 65.0	498.72	497.48	496.75	491.72	492.90	502.63	492.90	491.72	496.75	497.48	498.72	500.47	506.39
G 70.0	827.14	819.08	817.69	808.32	809.67	827.32	809.67	808.32	817.69	819.08	827.14	844.09	855.81
G 75.0	1507.05	1485.43	1469.00	1459.40	1468.70	1495.55	1468.70	1459.40	1469.00	1485.43	1507.05	1537.99	1580.63
G 80.0	2903.19	2849.48	2822.10	2790.05	2798.01	2854.21	2798.01	2790.05	2822.10	2849.48	2903.19	2992.77	3088.91
G 85.0	7121.87	6968.33	6865.10	6815.55	6843.06	6931.54	6843.06	6815.55	6865.10	6968.33	7121.87	7336.71	7606.91
G 90.0	0.00	0.00	0.00	0.00	0.00	0.00	0.00	0.00	0.00	0.00	0.00	0.00	0.00



**Luminaire**

Code DE-0195-CRO  
 Name Aplique FORLIGHT led 10W 3000K

**Measur.**

Code DE-0194-CRO  
 Name Aplique FORLIGHT led 5W 3000K

Luminaire Flux	897.12 lm	Luminaire Power	6.00 W	Efficacy	149.52 lm/W	Efficiency	100.00%
Lamps Flux	897.12 lm	Maximum value	3224.66 cd/klm	Position	C=0.00 G=0.00	CG	Double Symmetrical

**Luminance cd/m2 Table 3/3**

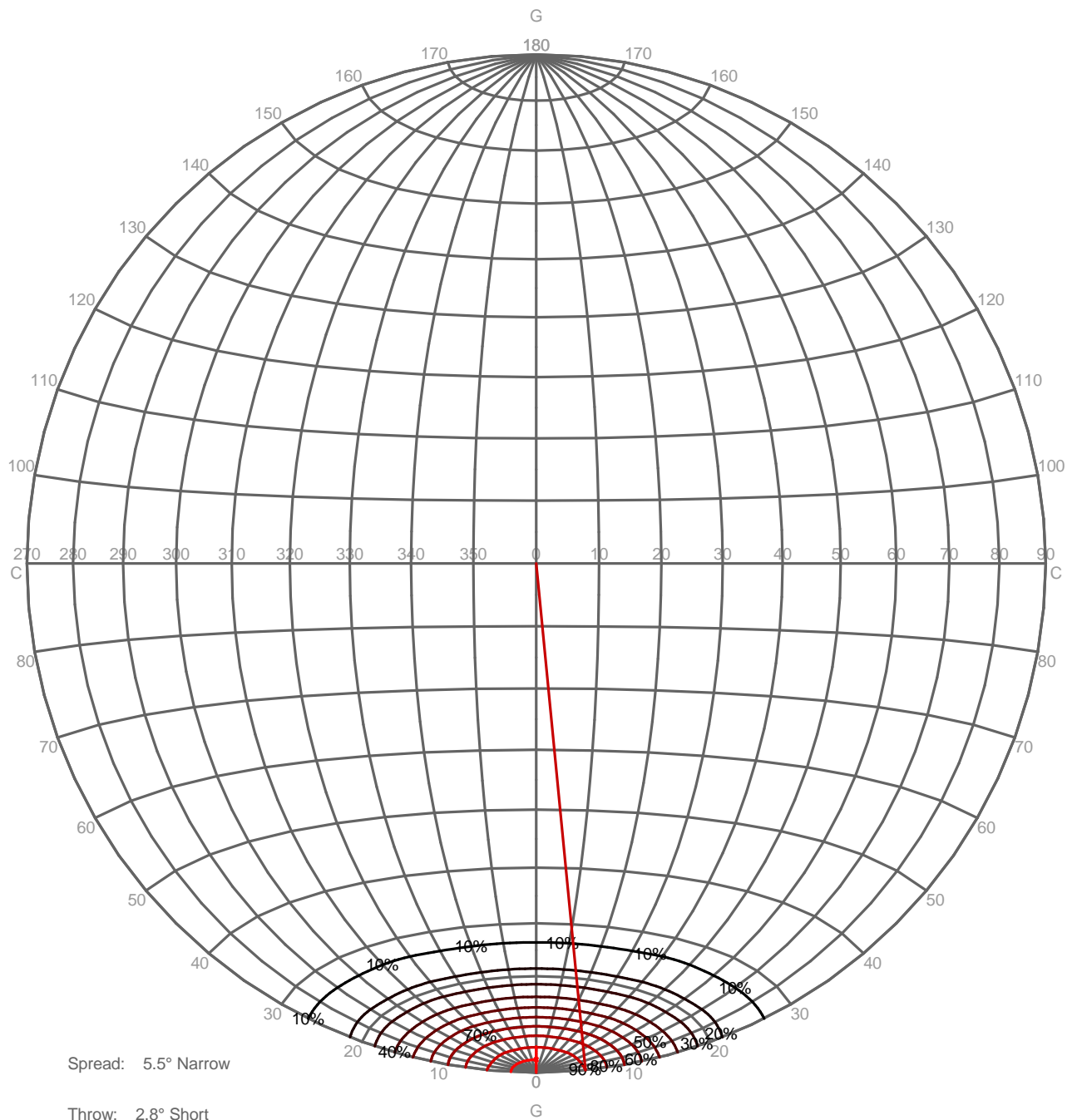
	C 260.00	C 270.00	C 280.00	C 290.00	C 300.00	C 310.00	C 320.00	C 330.00	C 340.00	C 350.00
G 0.0	1473719.45	1473719.45	1473719.45	1473719.45	1473719.45	1473719.45	1473719.45	1473719.45	1473719.45	1473719.45
G 5.0	1355230.01	1360924.66	1355230.01	1352876.86	1354725.68	1358443.64	1359026.75	1357329.05	1358703.86	1360631.15
G 10.0	1046328.19	1043294.40	1046328.19	1046425.51	1044890.08	1045408.78	1044614.85	1041657.71	1039687.97	1040477.71
G 15.0	684733.67	688483.97	684733.67	680856.26	678994.26	680783.83	677440.61	670858.13	671949.68	674753.65
G 20.0	386931.20	379348.24	386931.20	386214.14	381207.89	382860.87	381766.07	377006.61	378066.64	381355.83
G 25.0	197976.49	198071.85	197976.49	196488.94	194352.99	196558.63	195915.73	192215.92	192647.04	194372.11
G 30.0	115165.65	113698.23	115165.65	115608.94	115454.27	116029.07	116578.17	116958.24	117748.15	117876.02
G 35.0	79989.90	79145.35	79989.90	79505.28	78618.94	79473.58	80241.13	80271.97	80688.52	80949.60
G 40.0	51335.21	51003.91	51335.21	50813.28	50223.41	51190.50	52269.41	52465.55	52095.30	51755.89
G 45.0	28562.48	28624.61	28562.48	28165.71	27947.41	28702.78	29065.14	28570.21	28041.43	27643.79
G 50.0	14634.50	14823.68	14634.50	14560.60	14634.64	14815.22	15074.35	15000.95	14166.46	13717.73
G 55.0	4317.16	4151.78	4317.16	4148.41	3950.46	4291.56	4314.19	3920.90	3856.88	3763.49
G 60.0	445.31	445.32	445.31	443.44	431.44	406.02	385.69	377.86	375.06	377.03
G 65.0	512.65	517.77	512.65	506.39	500.47	498.72	497.48	496.75	491.72	492.90
G 70.0	866.58	879.76	866.58	855.81	844.09	827.14	819.08	817.69	808.32	809.67
G 75.0	1619.30	1648.50	1619.30	1580.63	1537.99	1507.05	1485.43	1469.00	1459.40	1468.70
G 80.0	3171.48	3239.17	3171.48	3088.91	2992.77	2903.19	2849.48	2822.10	2790.05	2798.01
G 85.0	7827.73	7972.09	7827.73	7606.91	7336.71	7121.87	6968.33	6865.10	6815.55	6843.06
G 90.0	0.00	0.00	0.00	0.00	0.00	0.00	0.00	0.00	0.00	0.00

**Luminaire**  
 Code DE-0195-CRO  
 Name Aplique FORLIGHT led 10W 3000K  
**Measur.**  
 Code DE-0194-CRO  
 Name Aplique FORLIGHT led 5W 3000K

Luminaire Flux	897.12 lm	Luminaire Power	6.00 W	Efficacy	149.52 lm/W	Efficiency	100.00%
Lamps Flux	897.12 lm	Maximum value	3224.66 cd/klm	Position	C=0.00 G=0.00	CG	Double Symmetrical

**PERCENTAGE ISOCANDLES**

Projection: Equal Area Tilting Angle:0°



**Luminaire**

Code DE-0195-CRO  
 Name Aplique FORLIGHT led 10W 3000K

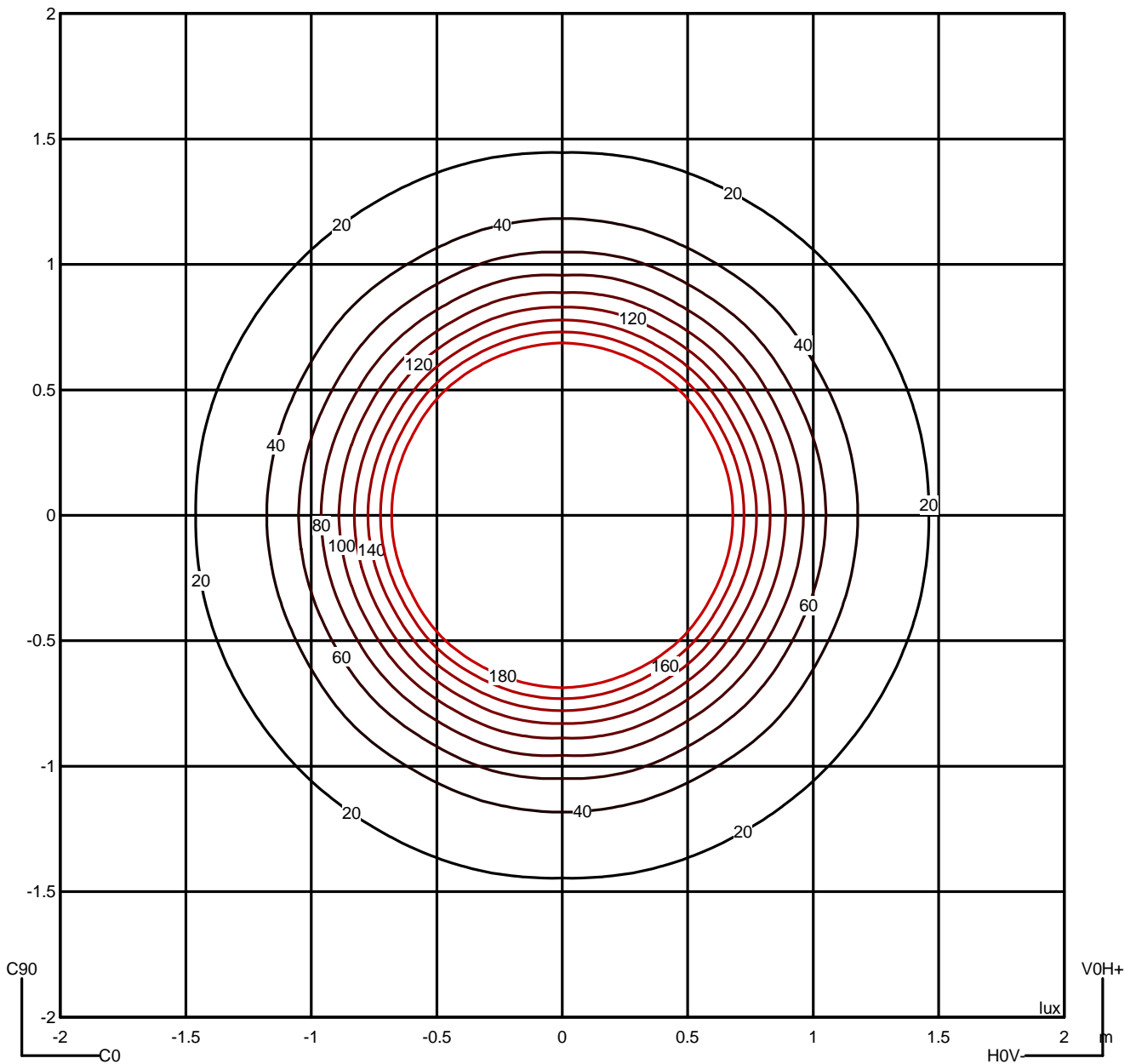
**Measur.**

Code DE-0194-CRO  
 Name Aplique FORLIGHT led 5W 3000K

Luminaire Flux	897.12 lm	Luminaire Power	6.00 W	Efficacy	149.52 lm/W	Efficiency	100.00%
Lamps Flux	897.12 lm	Maximum value	3224.66 cd/klm	Position	C=0.00 G=0.00	CG	Double Symmetrical

Isolux (Floor)

Luminaire position X=0.00m Y=0.00m Z=2.50m



**Luminaire**

Code DE-0195-CRO  
 Name Aplique FORLIGHT led 10W 3000K

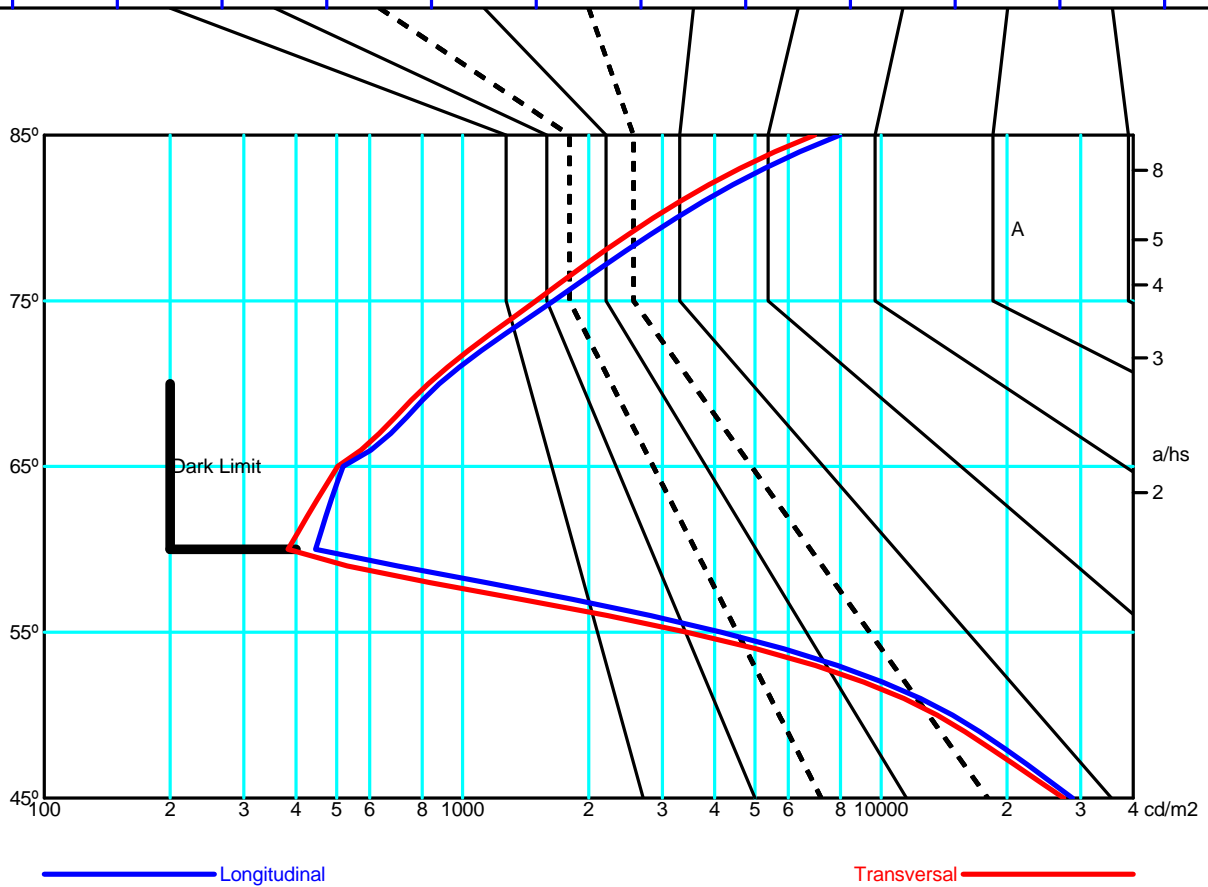
**Measur.**

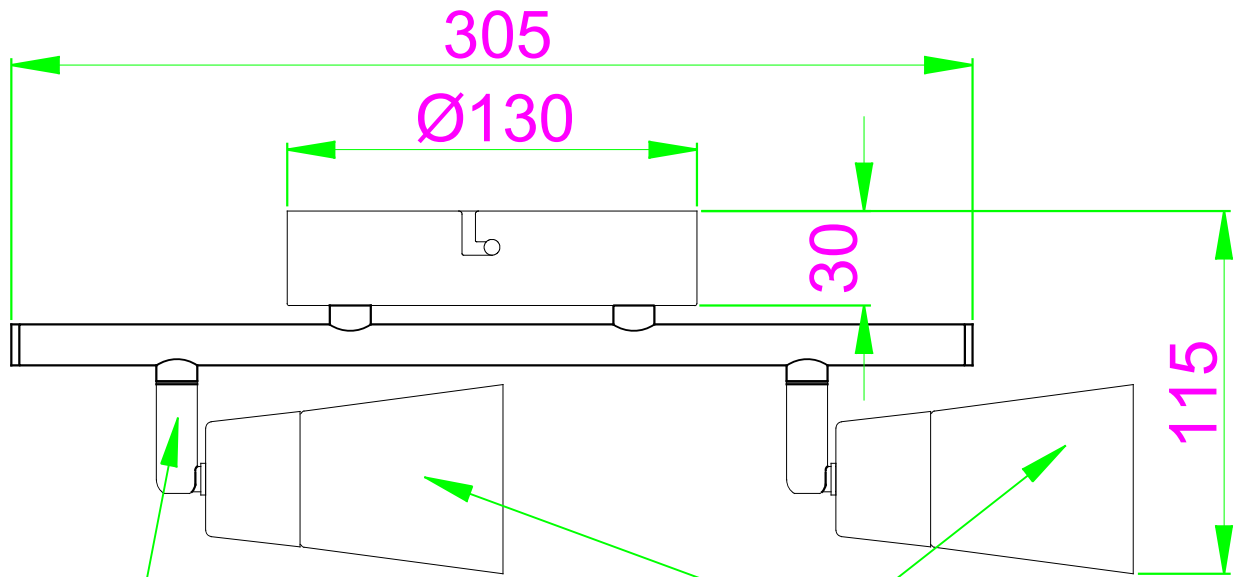
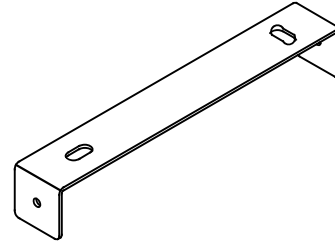
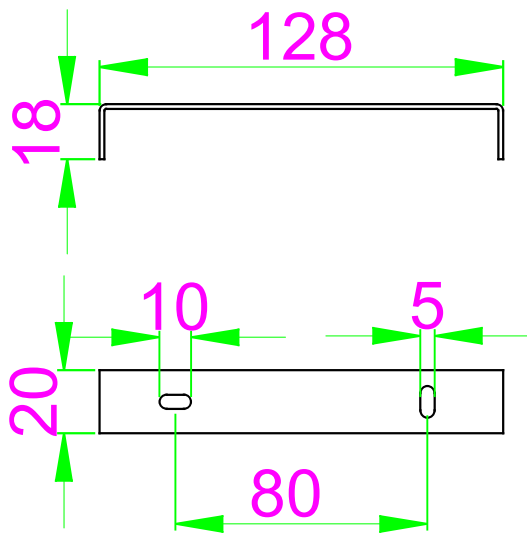
Code DE-0194-CRO  
 Name Aplique FORLIGHT led 5W 3000K

Luminaire Flux	897.12 lm	Luminaire Power	6.00 W	Efficacy	149.52 lm/W	Efficiency	100.00%
Lamps Flux	897.12 lm	Maximum value	3224.66 cd/klm	Position	C=0.00 G=0.00	CG	Double Symmetrical

		Average Luminance [cd/m <sup>2</sup> ]									
		45°	50°	55°	60°	65°	70°	75°	80°	85°	
0.0°	27328	13615	3433	383	503	827	1496	2854	6932	---	
90.0°	28625	14824	4152	445	518	880	1649	3239	7972	---	

Flush mounted or longitudinal view												
		Illumination(lx)										
A	A	2000	1000	750	500		<300				1.15	
B	1		2000	1500	1000	750	500	<300			1.5	
C					2000		1000	500	<300		1.85	
D	2						2000	1000	500	<300	2.2	
E	3							2000	1000	500	<300	2.55

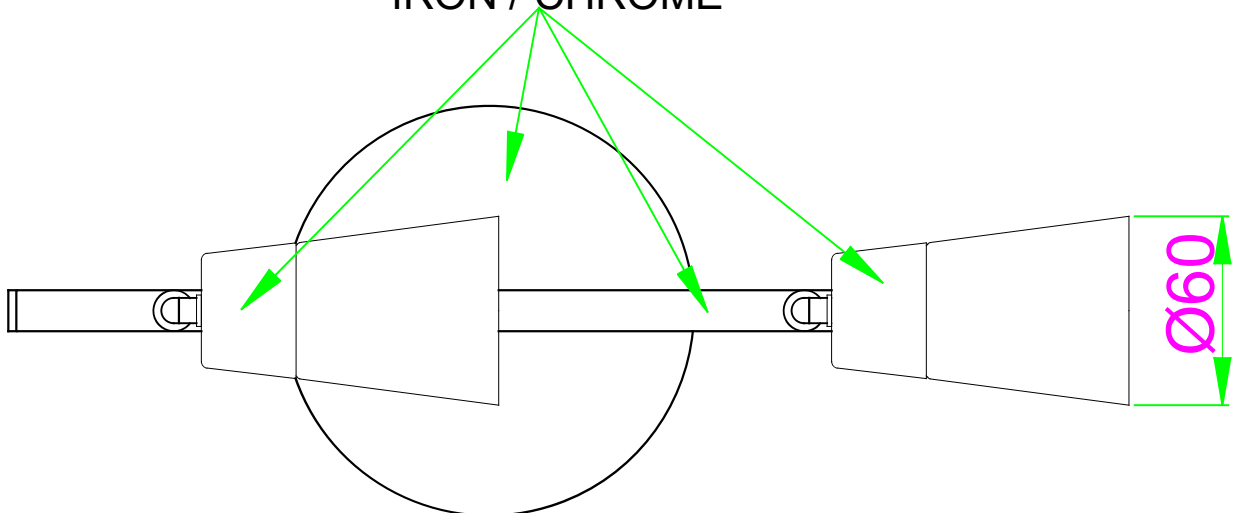




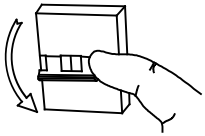
COPPER / CHROME

IRON / SATIN NICKEL

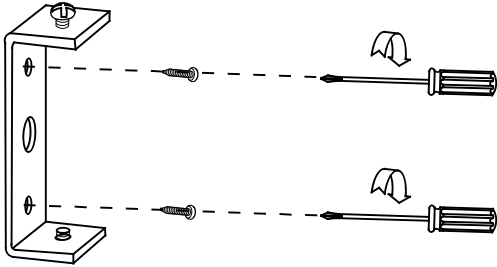
IRON / CHROME



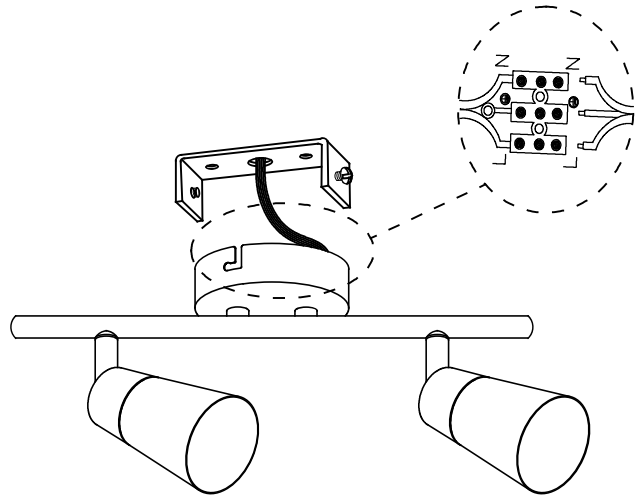
**1**



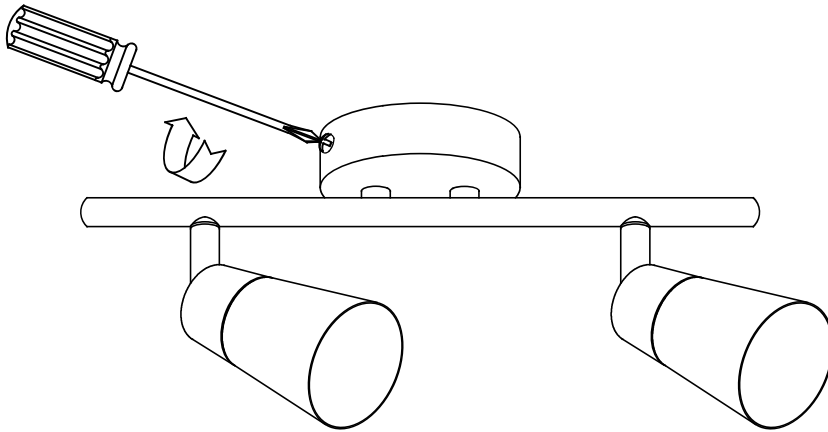
**OFF**



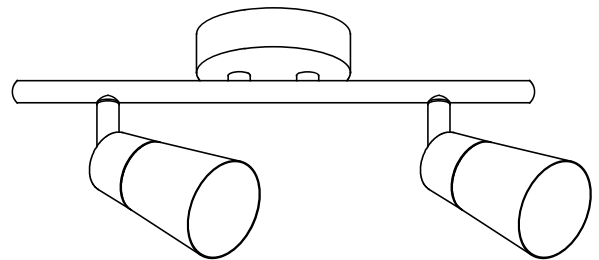
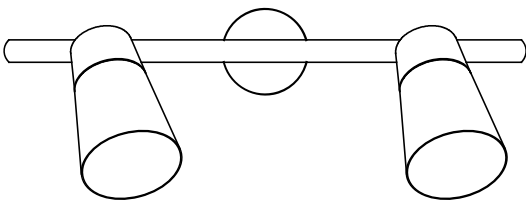
**2**



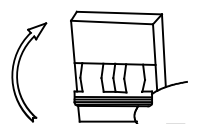
**3**



**4**



**ON**







## Vitro Double

---

DE-0195-CRO

---

Projector d'ús interior per il·luminar cap avall.

Màxim confort visual. El mòdul òptic pot girar fàcilment 360°. Material de l'estructura: Acer. Acabat estructura: Crom. Garantia: 2 Anys.

Pes net del producte (Kg): 0.79  
Longitud del producte (mm): 159  
Alçada del producte (mm): 300  
Sortida del producte (mm): 113

Classe 1. Prova fil incandescent: 960. IP: IP20. LED. N° de portalàmpades o Leds: 1. Potència màxima de la font de llum: 10W. Temperatura de color: 3000K. Índex de reproducció cromàtica: 80. Hores de vida: 36.000h L70B30. UGR: 15.7. Risc fotobiològic: RG1. Flux real (lm): 897. Flux nominal (lm): 1400. Lm / W reals: 75. Rang de voltatge / freqüència: 100-240/50-60Hz. Voltatge: 16. Equip inclòs: Si, electrònic. Equip multi voltatge inclòs. Potència total: 12. Factor de potència: 0.90. Equip regulable inclòs: ON-OFF.